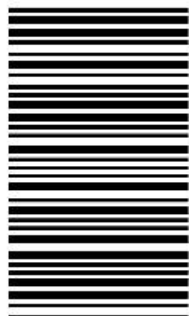


کد کنترل

652

A



652A

آزمون ورودی دوره‌های کارشناسی ارشد ناپیوسته داخل - سال ۱۴۰۰

صبح چهارشنبه



«اگر دانشگاه اصلاح شود مملکت اصلاح می‌شود.»
امام خمینی (ره)

جمهوری اسلامی ایران
وزارت علوم، تحقیقات و فناوری
سازمان سنجش آموزش کشور

مهندسی ابزار دقیق و اتوماسیون صنایع نفت - (کد ۱۲۹۰)

مدت پاسخ‌گویی: ۲۰۰ دقیقه

تعداد سؤال: ۱۳۰

عنوان مواد امتحانی، تعداد و شماره سؤالات

ردیف	مواد امتحانی	تعداد سؤال	از شماره	تا شماره
۱	زبان عمومی و تخصصی (انگلیسی)	۳۰	۱	۳۰
۲	ریاضیات مهندسی	۱۵	۳۱	۴۵
۳	کنترل خطی و غیرخطی	۱۵	۴۶	۶۰
۴	ترمودینامیک	۲۰	۶۱	۸۰
۵	انتخاب ۲ مکانیک سیالات و انتقال حرارت	۲۰	۸۱	۱۰۰
۶	درس از ۴ مدارهای الکتریکی (۲و۱)	۱۵	۱۰۱	۱۱۵
۷	درس الکترونیک (۲و۱)	۱۵	۱۱۶	۱۳۰

استفاده از ماشین حساب مجاز نیست.

این آزمون نمره منفی دارد.

حق چاپ، تکثیر و انتشار سؤالات به هر روش (الکترونیکی و...) پس از برگزاری آزمون، برای تمامی اشخاص حقیقی و حقوقی تنها با مجوز این سازمان مجاز می‌باشد و با متخلفین برابر مقررات رفتار می‌شود.

* داوطلب گرامی، عدم درج مشخصات و امضا در مندرجات جدول ذیل، به منزله عدم حضور شما در جلسه آزمون است.

اینجانب با شماره داوطلبی با آگاهی کامل، یکسان بودن شماره صندلی خود را با شماره داوطلبی مندرج در بالای کارت ورود به جلسه، بالای پاسخنامه و دفترچه سؤالات، نوع و کد کنترل درج شده بر روی دفترچه سؤالات و پائین پاسخنامه را تأیید می‌نمایم.

امضا:

زبان عمومی و تخصصی (انگلیسی):

PART A: Vocabulary

Directions: Choose the word or phrase (1), (2), (3), or (4) that best completes each sentence. Then mark the correct choice on your answer sheet.

- 1- The police only believed me after an eyewitness ----- my account of the accident.
1) displayed 2) constituted 3) corroborated 4) suspected
- 2- The plan is to our ----- advantage; we will all benefit greatly from it.
1) concurrent 2) mutual 3) devoted 4) involved
- 3- Our organization is committed to pursuing its aims through peaceful ----- . We totally reject violence as a means of political change.
1) means 2) instruments 3) devices 4) gadgets
- 4- All parents receive a booklet which ----- the school's aims and objectives before their children start their first term.
1) clarifies 2) injects 3) conducts 4) notifies
- 5- Increasing the state pension is a ----- aim, but I don't think the country can afford it.
1) redundant 2) diverse 3) flexible 4) laudable
- 6- The primary aim in sumo wrestling is to knock your ----- right out of the ring!
1) protagonist 2) opponent 3) referee 4) beneficiary
- 7- The cost of the damage caused by the oil ----- will be around \$200 million.
1) spill 2) guilt 3) demerit 4) extent
- 8- Most of us ----- when we hear that many children spend more time watching TV than they spend in school. It's a rather scary thought.
1) withdraw 2) retreat 3) recoil 4) regress
- 9- Even though he isn't enrolled right now, Calvin says he will go to college ----- .
1) creatively 2) delicately 3) sentimentally 4) eventually
- 10- You should avoid driving during the snowstorm because the icy roads are ----- .
1) superficial 2) frigid 3) perilous 4) cautious

PART B: Cloze Test

Directions: Read the following passage and decide which choice (1), (2), (3), or (4) best fits each space. Then mark the correct choice on your answer sheet.

When it comes to visually identifying a work of art, there is no single set of values or aesthetic traits. A Baroque painting will not necessarily (11) ----- much with a contemporary performance piece, but they are both considered art.

(12) ----- the seemingly indefinable nature of art, there have always existed certain formal guidelines for its aesthetic judgment and analysis. Formalism is a concept in art theory (13) ----- an artwork's artistic value is determined solely by its form, or the way (14) -----, Formalism evaluates works on a purely visual level, (15) ----- medium and compositional elements as opposed to any reference to realism, context, or content.

- | | | | | |
|-----|-------------------|---------------|-------------------|-----------------|
| 11- | 1) share | 2) be sharing | 3) have shared | 4) be shared |
| 12- | 1) Although | 2) Despite | 3) Regardless | 4) However |
| 13- | 1) that | 2) that in it | 3) which | 4) in which |
| 14- | 1) of it made | 2) made | 3) how it is made | 4) it is made |
| 15- | 1) are considered | 2) considers | 3) considering | 4) and consider |

PART C: Reading Comprehension

Directions: Read the following three passages and answer the questions by choosing the best choice (1), (2), (3), or (4). Then mark the correct choice on your answer sheet.

PASSAGE 1:

Motion measurements are extremely useful in controlling mechanical responses and interactions in engineering systems, particularly in mechatronic systems. Numerous examples can be cited: the rotating speed of a work-piece and the feed rate of a tool are measured in controlling machining operations. Displacements and speeds (both angular and translatory) at the joints (revolute and prismatic) of a robotic manipulator or a kinematic linkage are used in controlling the manipulator trajectory. In high-speed ground transit vehicles, acceleration and jerk measurements can be used for active suspension control to obtain improved ride quality. Angular speed is a crucial measurement that is used in the control of rotating machinery, such as turbines, pumps, compressors, motors, transmission units or gear boxes, and generators in power-generating plants. Proximity sensors (to measure displacement) and accelerometers (to measure acceleration) are the two most common types of measuring devices used in machine protection systems for condition monitoring, fault prediction, detection, diagnosis, and control of large and complex machinery. The accelerometer is often the only measuring device used in controlling dynamic test rigs (e.g., in vibration testing). Displacement measurements are used for valve control in process applications. Plate thickness (or gauge) is continuously monitored by the automatic gauge control (AGC) system in steel rolling mills.

We might question the need for separate transducers to measure the four kinematic variables— displacement, velocity, acceleration, and jerk—because any one variable is related to the other through simple integration or differentiation. It should be possible, in theory, to measure only one of these four variables and use either analogue processing (through analogue circuit hardware) or digital processing (through a dedicated processor) to obtain any one of the remaining motion variables. The feasibility of this approach is highly limited, however, and it depends crucially on several factors.

- 16- The main idea of the passage is -----.
- 1) controlling mechanical responses and interactions in engineering systems
 - 2) mechatronic systems
 - 3) motion measurements and their importance
 - 4) four kinematic variables
- 17- The word "trajectory" in line 6 means -----.
- 1) motion
 - 2) path
 - 3) speed
 - 4) mass
- 18- The pronoun "it" in the last paragraph refers to -----.
- 1) this approach
 - 2) factor
 - 3) feasibility
 - 4) dedicated processor
- 19- The need for separate transducers to measure different kinematic variables is questioned because -----.
- 1) in theory, one of them cannot be measured alone
 - 2) by measuring one it is not possible to attain others
 - 3) one can be affected by only one other factor
 - 4) having one measure enables us to find the others
- 20- Accelerators do all of the following EXCEPT -----.
- 1) detection
 - 2) valve control
 - 3) diagnosis
 - 4) fault prediction

PASSAGE 2:

Engineering systems are typically multi-domain (mixed) systems, which consist of more than one type of components that are interconnected. This is particularly true with mechatronic systems, which employ an integrated and concurrent optimal approach in their design and development. Commonly, mechanical (including fluid and thermal), electrical, electronic, and computer hardware are integrated to form practical applications. When components are interconnected, the behavior of the individual components in the integrated system can deviate significantly from that when each component operates independently. It follows that component interconnection is an important design and instrumentation (and overall development) of an engineering system.

The nature and type of the signals that are present at the interface of the interconnected components depend on the nature and type of the components. For example, when a motor is coupled with a load through a gear (transmission) unit, mechanical power flows at the interfaces of these components. In that case, the power that is transmitted is of the same type (mechanical) and we are particularly interested in the associated signals of angular velocity and torque. Similarly, when a motor is connected to its electronic drive system (e.g., the electrical drive circuit may be connected to a stator or rotor or both of a DC motor depending on the type of motor), there is conversion of electrical power of the drive circuit into mechanical power of the rotor. Their interface may be represented by an electromechanical transformer. On one side we have voltage and current as the power signals and on the other side we have angular velocity and torque as the power signals. Note: In both examples, there will be energy dissipation (wastage) on both sides, and hence the energy conversion will not take place at %100 efficiency.

Generally, when two components are interconnected, dynamic interactions (dynamic coupling) will take place between them and hence the conditions of either

component will be different from what they were before connection. It is clear that the interconnected components should be properly *matched* for the interconnected system to operate in the desired manner. For example, in the case of a motor and its electronic drive system, maximum efficiency may be a primary objective. Then, the dynamic interaction between the two components will be significant. In contrast, in the case of a sensor and a monitored object, it is important that the dynamic conditions of the object would not be altered by the sensor (i.e., the loading of the object by the sensor should be negligible; for example, with regard to a motion sensor, both electrical loading and mechanical loading should be negligible). In other words, dynamic interaction between the sensor and the monitored object should be negligible while maintaining the ability to accurately measure the required quantity.

- 21- **The main idea of the passage is -----.**
 1) importance of individual parts and their separate functions
 2) importance of parts when they are not operating together
 3) interconnection among components is an important part of development
 4) dynamics between sensor and object
- 22- **The word “negligible” in the last paragraph can be replaced by -----.**
 1) small 2) huge 3) important 4) sensing
- 23- **The desired manner of a machine is the result of -----.**
 1) the desired components 2) maximum efficiency
 3) interconnected components 4) independent components
- 24- **The word “associated” in paragraph 2 means -----.**
 1) matched 2) separated 3) transmitted 4) presented
- 25- **According to the passage, when a motor is connected to its electronic system, -----.**
 1) there is only one type of signal
 2) there are two types of signal
 3) there will be dissipation on both sides despite %100 efficiency
 4) it is only true for DC motors

PASSAGE 3:

Inspection is a key function in the enforcement of fire laws and regulations. Duties of the fire prevention inspector call for knowledge and competency that can be acquired only through proper training and education in code requirements and inspection procedures. Other requirements are the ability to exercise good judgment, keen observation, and skill in dealing with people. As a representative of the fire department, the fire prevention inspector has the opportunity to build good public relations and to educate the public about the need to observe the rules for preventing fires.

Preparation for inspection includes instilling a positive attitude on the part of the inspector. The inspector must know why the inspection is being made and what to look for during the inspection. This is an important phase of preparation, one that, unfortunately, is often overlooked in training and in planning for inspection programs. Another requirement is the acquisition of necessary equipment, such as flashlights, cameras, notebooks, data loggers, and suitable clothing. In some departments the inspector is also required to carry manuals, code books, and other publications that

may have a bearing on the work. Laptop computers are useful for this purpose. It certainly is a good idea to have these materials in the car for reference if needed.

- 26- **The first paragraph mainly talks about -----.**
- 1) the necessity of good judgment
 - 2) the responsibilities of fire department
 - 3) the requirements for the job of fire safety inspector
 - 4) the enforcement of safety regulations
- 27- **The fire laws and regulations -----.**
- 1) are enforced by inspection
 - 2) are the key functions in the enforcement process
 - 3) are competencies that should be acquired
 - 4) motivate people to obey inspection
- 28- **Which of the following is often overlooked in training inspectors?**
- 1) the acquisition of necessary equipments
 - 2) building good public relations
 - 3) carrying laptop computers
 - 4) the reason of inspection and the objects that should be looked for during the inspection
- 29- **The word "instilling" in the second paragraph means -----.**
- 1) encouraging rapidly
 - 2) introducing gradually
 - 3) overlooking unintentionally
 - 4) producing usefully
- 30- **Manuals, code books, and other publications -----.**
- 1) have a positive impact in the work
 - 2) are the most useful materials used by inspectors
 - 3) must be carried by inspectors during all operations
 - 4) train inspectors to obey laws

ریاضیات مهندسی:

۳۱- تابع f در بازه $-2 < x < 2$ تعریف شده و متناوب است. اگر f دارای سری فوریه با ضرایب

$$b_n = \left(\frac{2}{\sqrt{5}}\right)^n, a_n = \left(\frac{1}{3}\right)^n$$

حاصل $\int_{-2}^2 f^2(x) dx$ ، کدام است؟

۱۰ (۱)

$\frac{27}{8}$ (۲)

$\frac{27}{4}$ (۳)

$\frac{2\sqrt{5}}{\sqrt{5}-2}$ (۴)

۳۲ عدد ثابت در بسط فوریه تابع $F(x) = (1 + \sin^2 x)^2$ روی بازه $[-\pi, \pi]$ ، کدام است؟

$$\frac{7}{8} \quad (1)$$

$$\frac{11}{8} \quad (2)$$

$$\frac{13}{8} \quad (3)$$

$$\frac{19}{8} \quad (4)$$

۳۳ - فرض کنیم $g(t) = \cos \pi t$ و $f(t) = \begin{cases} 4 - t^2 & |t| \leq 2 \\ 0 & |t| > 2 \end{cases}$ می‌دانیم تبدیل فوریه تابع $f(t)$ به شکل

اگر $\hat{f}(w) = 4 \frac{\sin 2w - 2w \cos 2w}{w^3}$ باشد، در آن صورت $\hat{h}(w)$ ، کدام است؟

$$\hat{h}(w) = 2 \left[\frac{\cos 2w + 2(w + \pi) \sin 2w}{(w + \pi)^3} + \frac{\cos 2w + 2(w - \pi) \sin 2w}{(w - \pi)^3} \right] \quad (1)$$

$$\hat{h}(w) = 2 \left[\frac{\sin 2w - 2(w + \pi) \cos 2w}{(w + \pi)^3} + \frac{\sin 2w - 2(w - \pi) \cos 2w}{(w - \pi)^3} \right] \quad (2)$$

$$\hat{h}(w) = 4 \cos \pi w \left[\frac{\sin 2w - 2(w + \pi) \cos 2w}{(w + \pi)^3} + \frac{\sin 2w - 2(w - \pi) \cos 2w}{(w - \pi)^3} \right] \quad (3)$$

$$\hat{h}(w) = 4 \cos \pi w \left[\frac{\cos 2w + 2(w + \pi) \sin 2w}{(w + \pi)^3} + \frac{\cos 2w + 2(w - \pi) \sin 2w}{(w - \pi)^3} \right] \quad (4)$$

۳۴ اگر تبدیل فوریه سینوسی تابع $f(t) = te^{-at} \cos t$ برابر $F(w)$ باشد، حاصل $F(1)$ ، کدام است؟

$$\frac{2a}{(a^2 + 4)^2} \quad (1)$$

$$\frac{4 - a^2}{(a^2 + 4)^2} \quad (2)$$

$$\frac{-1}{a^2 + 4} \quad (3)$$

$$\frac{-2a}{(a^2 + 4)^2} \quad (4)$$

۳۵- اگر تابع y در معادله دیفرانسیل $y'' + 4y = 0$ با شرایط $y(0) = 1$ و $y'(0) = \sqrt{\frac{\pi}{2}}$ صدق کند، مقدار تبدیل فوریه کسینوسی y در $w = 1$ کدام است؟
(راهنمایی:

$$F_c\{y'\} = wF_s\{y\} - \sqrt{\frac{2}{\pi}}y(0)$$

$$(F_s\{y'\} = -wF_c\{y\})$$

$$\frac{1}{2} \quad (1)$$

$$\frac{1}{5} \quad (2)$$

$$\frac{\sqrt{\frac{2}{\pi}}}{2} \quad (3)$$

$$\frac{\sqrt{\frac{2}{\pi}}}{5} \quad (4)$$

۳۶- جواب مسئله زیر، کدام است؟

$$\begin{cases} u_t = 4u_{xx} & t \geq 0, 0 \leq x < 2\pi \\ u(0, t) = u(2\pi, t) = 0 & \text{برای هر } t \\ u(x, 0) = 2 \sin \frac{\gamma x}{2} \end{cases}$$

$$2 \sin \frac{\gamma \pi x}{2} e^{-4\gamma t^2} \quad (1)$$

$$2 \sin \frac{\gamma x}{2} e^{-4\gamma t^2} \quad (2)$$

$$2 \sin \frac{\gamma \pi x}{2} e^{-4\gamma \pi^2 t^2} \quad (3)$$

$$2 \sin \frac{\gamma x}{2} e^{-4\gamma \pi^2 t^2} \quad (4)$$

۳۷- کدام گزینه در رابطه با معادله دیفرانسیل با مشتقات جزئی زیر درست است؟

$$u_{xx} + (1 + \cos x)u_{xy} + \cos x u_{yy} = 0$$

- (۱) روی خطوط $x = 2k\pi$ (عدد صحیح k) سهموی و در سایر نقاط صفحه بیضوی است.
- (۲) روی خطوط $x = k\pi$ (عدد صحیح k) سهموی و در سایر نقاط صفحه هذلولوی است.
- (۳) روی خطوط $x = 2k\pi$ (عدد صحیح k) سهموی و در سایر نقاط صفحه هذلولوی است.
- (۴) روی خطوط $x = k\pi$ (عدد صحیح k) سهموی و در سایر نقاط صفحه بیضوی است.

۳۸- در معادله موج زیر مقدار $u\left(\frac{3}{2}, 1\right)$ کدام است؟

$$\begin{cases} u_{tt} - u_{xx} = 0 & 0 < x < 1 \\ u(x, 0) = 0 \\ u(0, t) = u(1, t) = 0 \\ u_1(x, 0) = g(x) \end{cases}$$

$$g(x) = \begin{cases} 2x & 0 \leq x \leq \frac{1}{2} \\ -4x + 4 & \frac{1}{2} \leq x \leq 1 \end{cases}$$

۱ (۱)

۲ (۲)

۳ (۳)

۴ (۴)

۳۹- فرض کنیم $t \geq 0, w(x, 0) = \cos x, w_t + w_x + w_{tx} = 0$ یک معادله دیفرانسیل با مشتقات جزئی و $W(x, s)$ تبدیل لاپلاس $w(x, t)$ باشد، در آن صورت W در کدام معادله صدق می‌کند؟

$$(s-1) \frac{\partial W}{\partial x} - sW = \sin x + \cos x \quad (1)$$

$$(s-1) \frac{\partial W}{\partial x} - sW = \sin x - \cos x \quad (2)$$

$$(s+1) \frac{\partial W}{\partial x} - sW = \sin x + \cos x \quad (3)$$

$$(s+1) \frac{\partial W}{\partial x} - sW = \sin x - \cos x \quad (4)$$

۴۰- می‌دانیم ریشه‌های مجزای معادله $w^s = 1$ به فرم $w_k = \cos \frac{\gamma k \pi}{s} + i \sin \frac{\gamma k \pi}{s}$ و $k = 0, 1, \dots, s-1$ هستند. مقدار عبارت زیر کدام است؟ (در آن w_k ریشه‌های معادله $w^{1400} - 1 = 0$ است.)

$$w_0 + w_{1400} + w_{2800} + \dots + w_{1399 \times 1400}$$

۱۴۰۰ (۱)

۱۳۹۹ (۲)

۱۴۰۰^۲ (۳)

۱۳۹۹ × ۱۴۰۰ (۴)

۴۱- مقدار اصلی عدد مختلط w کدام است؟ (principal value)

$$w = i^{\sqrt[3]{\ln \sqrt{e}}}$$

$$\frac{1}{e} \quad (2)$$

e (۱)

$$-\frac{1}{e} \quad (4)$$

-e (۳)

۴۲- به ازای چه مقداری از a تابع $u(r, \theta) = a \ln r$ ، مزدوج همساز دارد؟ (a یک عدد مختلط دلخواه و r, θ متغیرهای مختصات قطبی هستند.)

(۱) $a = \pm 1$

(۲) $a = 0$

(۳) $a = \pm i$

(۴) به ازای همه مقادیر a

۴۳- اگر $C = C_1 \cup C_2$ و C_1 مثلثی جهت‌دار شده و خلاف عقربه‌های ساعت با رئوس i و $\frac{1}{4} - \frac{1}{4}i$ و $\frac{1}{4} + \frac{1}{4}i$ دایره C_2 دایره

$|z| = \frac{1}{4}$ در جهت عقربه‌های ساعت باشد، مقدار $I = \oint_C (z-i)^2 \sin\left(\frac{1}{z-i}\right) dz$ ، کدام است؟

(۱) $-i \frac{\pi}{60}$

(۲) $-i \frac{\pi}{120}$

(۳) $i \frac{\pi}{60}$

(۴) $i \frac{\pi}{120}$

۴۴- نوع قطب و مقدار مانده تابع $f(z) = z \operatorname{Exp}\left(\frac{-2}{\tan \frac{1}{z} + \cot \frac{1}{z}}\right)$ در نقطه $z=0$ ، کدام است؟

(۱) اساسی و $\operatorname{Res} f = 2$

(۲) ساده و $\operatorname{Res} f = 2$

(۳) اساسی و $\operatorname{Res} f = -2$

(۴) ساده و $\operatorname{Res} f = -2$

۴۵- نگاشت $z = \sinh^{-1} w = u + iv$ را در نظر بگیرید، تصویر معکوس خط $u = \ln 2$ تحت این نگاشت کدام است؟

(راهنمایی: $\sinh(a + ib) = \sinh a \cos b + i \cosh a \sin b$)

(۱) $\frac{x^2}{9} - \frac{y^2}{25} = \frac{1}{16}$

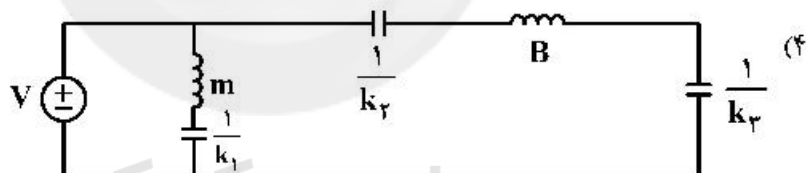
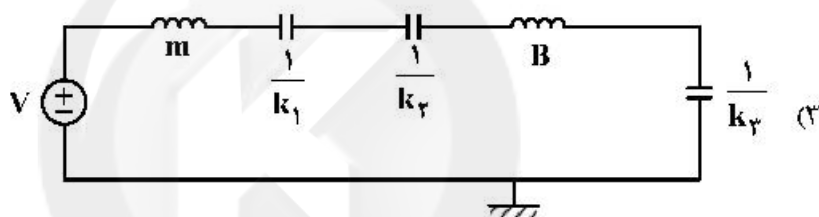
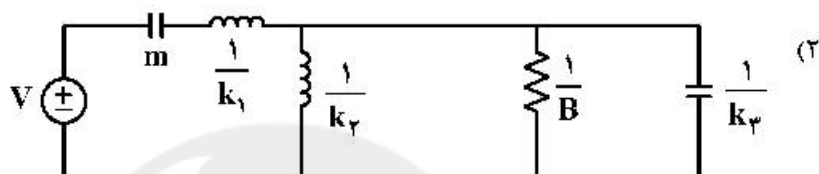
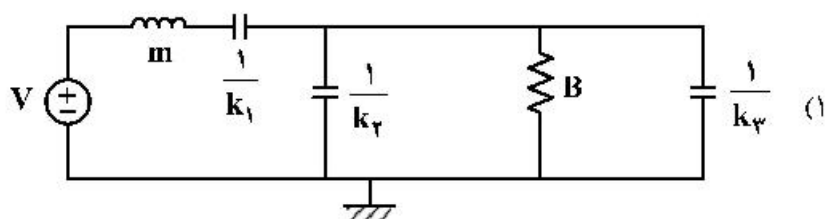
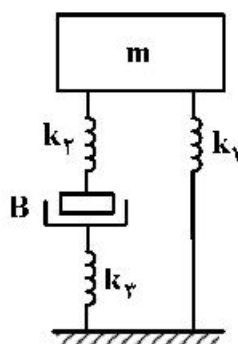
(۲) $9x^2 + 25y^2 = 16$

(۳) $\frac{x^2}{9} + \frac{y^2}{25} = \frac{1}{16}$

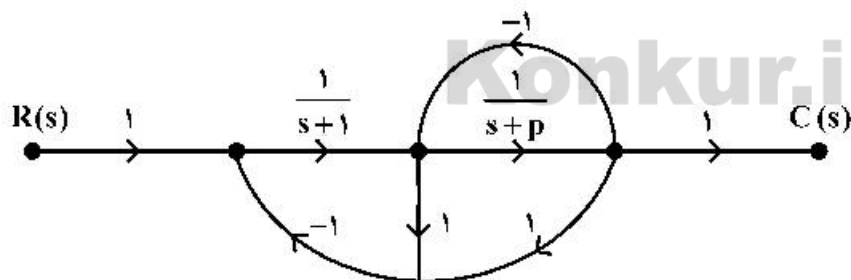
(۴) $9x^2 - 25y^2 = 16$

کنترل خطی و غیر خطی:

۴۶- معادل الکتریکی سیستم مکانیکی شکل روبه‌رو، براساس تشابه نیرو - ولتاژ، کدام است؟



۴۷- در سیستم زیر، حدود p متناظر یک سیستم پایدار، کدام است؟



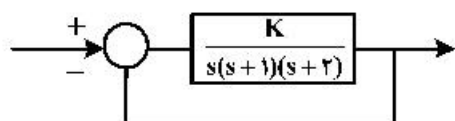
$$p \geq 0 \quad (1)$$

$$p \geq -1 \quad (2)$$

$$-3 \leq p \leq -1 \quad (3)$$

$$p \geq -3 \quad (4)$$

۴۸- نمودار بلوکی زیر را در نظر بگیرید. مقدار K چقدر باشد تا خطای حالت ماندگار به ورودی شیب واحد،



$$\frac{1}{3} \text{ شود؟}$$

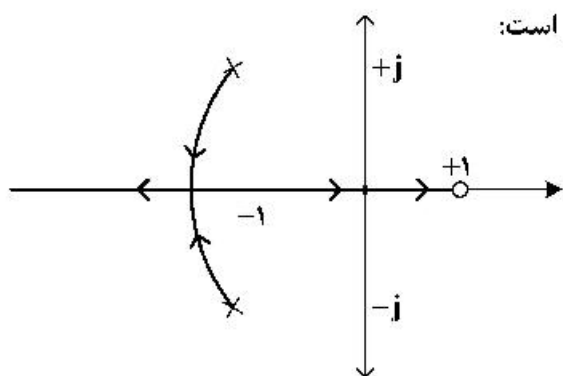
$$K = 6 \quad (1)$$

$$K = 3 \quad (2)$$

(3) به‌ازای هیچ مقدار K

(4) به‌ازای تمام مقادیر K

۴۹- سیستمی با فیدبک واحد منفی دارای مکان ریشه‌های زیر است:

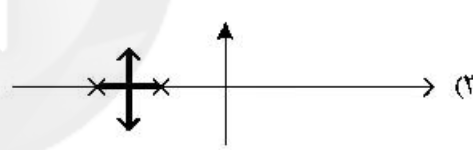
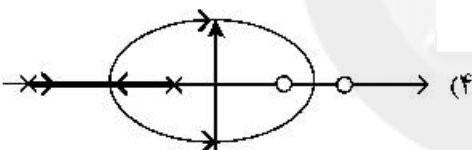
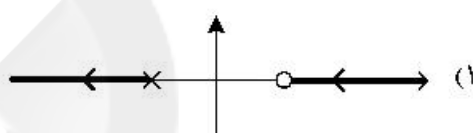
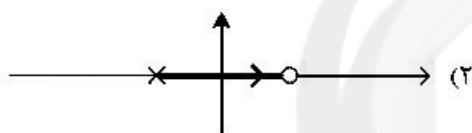


مکان به ازای بهره $K \geq 0$ رسم شده است. به ازای $K = -2$ ، وضعیت سیستم چگونه است؟
(۱) سیستم ناپایدار است. (۲) سیستم پایدار است.

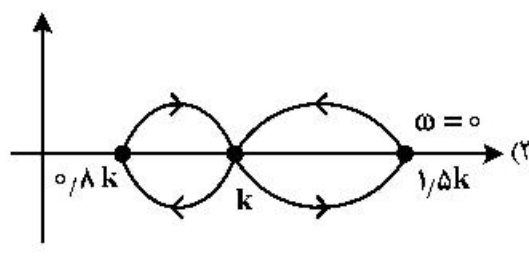
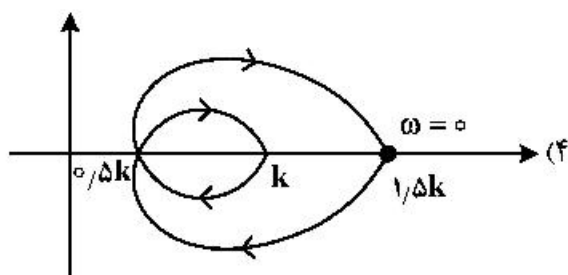
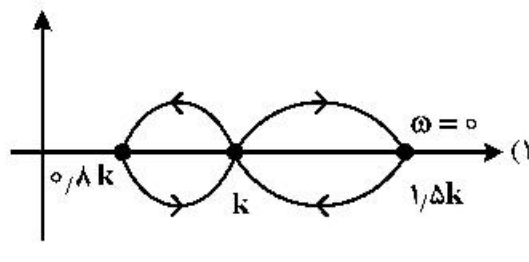
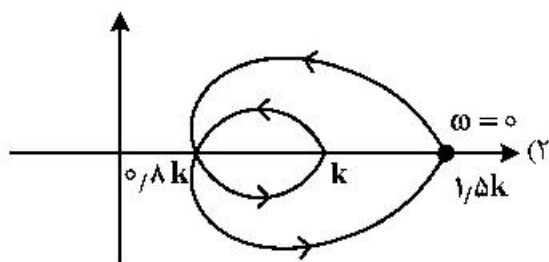
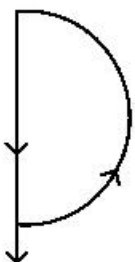
(۳) در مورد پایداری سیستم نمی‌توان چیزی گفت. (۴) سیستم با فرکانس $f = \frac{1}{\pi}$ نوسان می‌کند.

۵۰- کدام گزینه مربوط به مکان هندسی ریشه‌های سیستم زیر به ازای تغییرات K از صفر تا $(-\infty)$ است؟

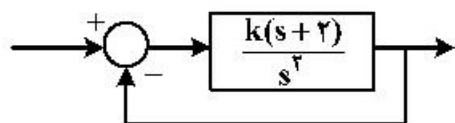
$$GH(s) = \frac{K(-1+s)}{(1+s)}$$



۵۱- تابع تبدیل حلقه باز سیستمی به صورت $kGH(s) = k \frac{s^2 + 4s + 6}{s^2 + 5s + 4}$ است. منحنی نایکوئیست آن برای مسیر بسته روبرو، کدام است؟



۵۲- در سیستم کنترل شکل زیر، به ازای کدام مقدار k ، حد فاز سیستم برابر 30° درجه است؟



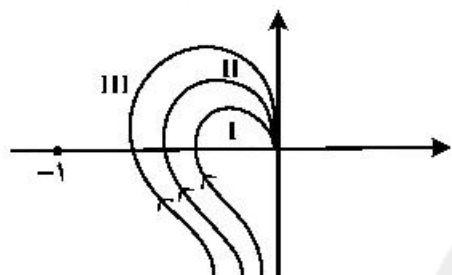
$$\frac{1}{\sqrt{3}} \quad (1)$$

$$\frac{2}{\sqrt{3}} \quad (2)$$

$$\frac{\sqrt{3}}{2} \quad (3)$$

$$\frac{2}{\sqrt{3}} \quad (4)$$

۵۳- نمودار قطبی سه سیستم به صورت زیر است. در مورد میزان فراجش آن‌ها، گزینه صحیح کدام است؟



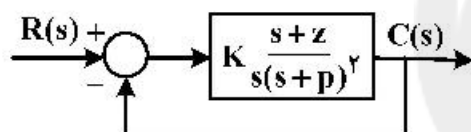
$$MP_I > MP_{II} > MP_{III} \quad (1)$$

$$MP_I < MP_{II} < MP_{III} \quad (2)$$

$$MP_I = MP_{II} = MP_{III} \quad (3)$$

(۴) در مورد میزان فراجش نمی‌توان نظر داد.

۵۴- در سیستم کنترل شکل زیر $p > z > 0$ بوده و به ازای $K = \frac{27}{4}$ ، حالت میرای بحرانی حاصل می‌شود. خطای حالت ماندگار به ورودی شیب واحد، کدام است؟



$$\frac{3}{4} \quad (2)$$

$$\frac{7}{3} \quad (4)$$

$$\frac{3}{7} \quad (1)$$

$$\frac{4}{3} \quad (3)$$

۵۵- در مدل دینامیکی $\ddot{x} + 0.4\dot{x} + 3x + x^2 = 0$ ، نقاط تعادل از کدام نوع است؟

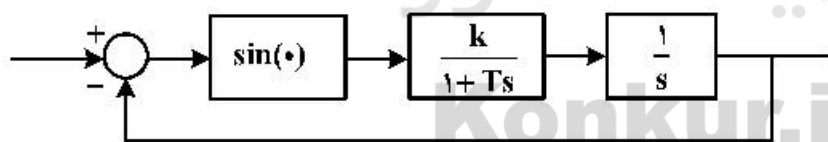
(۴) کانونی و زینی

(۳) کانونی و کانونی

(۲) زینی و گره

(۱) گره و کانونی

۵۶- نقاط تعادل و نوع سیستم زیر، کدام است؟



(۱) اگر $4kT > 1$: گره پایدار

(۲) اگر $4kT < 1$: کانونی پایدار

(۳) اگر $4kT < 1$: گره پایدار

(۴) اگر $4kT > 1$: کانونی پایدار

۵۷- در مورد سیستم زیر، کدام گزینه درست است؟

$$\dot{x}_1 = 0$$

$$\dot{x}_2 = -15x_2$$

(۲) همه مسیرها به محور x_1 ختم می‌شوند.

(۴) همه مسیرها به مبدأ ختم می‌شوند.

(۱) همه مسیرها از محور x_1 دور می‌شوند.

(۳) همه مسیرها موازی محور x_1 هستند.

۵۸- پایداری سیستم غیرخطی زیر، حول نقطه تعادل $(0,0)$ به کدام صورت است؟

$$\dot{x}_1 = x_2 + x_1(x_1^2 + x_2^2)$$

$$\dot{x}_2 = -x_1 + x_2(x_1^2 + x_2^2)$$

(۴) نمی‌توان اظهار نظر کرد.

(۳) پایدار یکنواخت

(۲) پایدار مجانبی

(۱) ناپایدار

۵۹- با استفاده از معادله ماتریسی لیاپانوف $A^T P + PA = -Q$ و با فرض $Q = \begin{bmatrix} 6 & 0 \\ 0 & 0 \end{bmatrix}$ ، کدام گزینه در مورد سیستم زیر، صحیح است؟

$$\dot{x} = \begin{bmatrix} 0 & 1 \\ -1 & -2 \end{bmatrix} x$$

(۱) سیستم پایدار و $P = \begin{bmatrix} 9 & 2 \\ 2 & 1 \end{bmatrix}$

(۲) سیستم پایدار و $P = \begin{bmatrix} 5 & 2 \\ 2 & 1 \end{bmatrix}$

(۳) سیستم پایدار و $P = \begin{bmatrix} 5 & 2 \\ 2 & -1 \end{bmatrix}$

(۴) سیستم ناپایدار و $P = \begin{bmatrix} 9 & 2 \\ 2 & -1 \end{bmatrix}$

۶۰- سیستم غیر خطی $\begin{cases} \dot{x}_1 = x_2 + x_1(1 - x_1^2 - x_2^2) \\ \dot{x}_2 = -x_1 + x_2(1 - x_1^2 - x_2^2) \end{cases}$ ، دارای کدام ویژگی‌هاست؟

- (۱) نقطه تعادل پایدار در مبدأ و سیکل حدی ساعت‌گرد به شعاع واحد از مبدأ.
- (۲) نقطه تعادل پایدار در مبدأ و سیکل حدی پادساعت‌گرد به شعاع واحد از مبدأ.
- (۳) نقطه تعادل ناپایدار در مبدأ و سیکل حدی ساعت‌گرد به شعاع واحد از مبدأ.
- (۴) نقطه تعادل ناپایدار در مبدأ و سیکل حدی پادساعت‌گرد به شعاع واحد از مبدأ.

ترمودینامیک:

۶۱- در صورتی که یک مول از یک گاز ایدئال با C_p ثابت در یک توربین از فشار 5 bar و دمای 800 K تا دما و

فشار محیط ($1 \text{ bar}, 300 \text{ K}$) منبسط شود، راندمان ترمودینامیکی توربین برابر کدام است؟ $C_p = 30 \frac{\text{J}}{\text{mol.K}}$

(Δs را معادل $3 \frac{\text{J}}{\text{mol.K}}$ در نظر بگیرید.)

(۱) $0,82$ (۲) $0,86$ (۳) $0,88$ (۴) $0,94$

۶۲- حرارت از یک منبع حرارتی با دمای T_σ کلون به یک مخزن صلب حاوی یک مول گاز ایدئال با دمای T_1 کلون و

C_p و C_v ثابت داده می‌شود تا به دمای T_2 برسد. تغییرات آنتروپی کل برابر کدام است؟

(۱) $C_p \ln \frac{T_2}{T_1} - R \ln \frac{P_2}{P_1}$ (۲) $C_v \ln \frac{T_2}{T_1} - \frac{C_v(T_2 - T_1)}{T_\sigma}$

(۳) $C_v \ln \frac{T_2}{T_1} + \frac{C_v(T_2 - T_1)}{T_\sigma}$ (۴) $C_p \ln \frac{T_2}{T_1} + \frac{C_p(T_2 - T_1)}{T_\sigma}$

۶۳- اگر ارتباط P, V, T یک گاز از معادله حالت $V = \frac{RT}{P} + b$ تبعیت کند، معادله انجام کار در یک سیستم بسته و

یک تحول دما ثابت و برگشت‌پذیر، برابر کدام است؟ (R و b ثابت هستند و کار ورودی به سیستم مثبت و کار انجام شده توسط سیستم منفی در نظر گرفته می‌شود.)

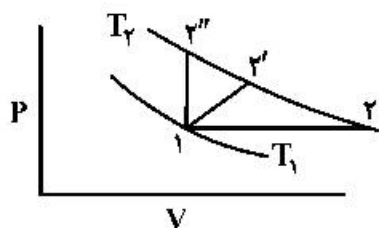
(۱) $bRT \ln \frac{V_1}{V_2}$ (۲) $bRT \ln \frac{V_2}{V_1}$

(۳) $RT \ln \left(\frac{V_1 - b}{V_2 - b} \right)$ (۴) $-RT \ln \left(\frac{V_2 - b}{V_1 - b} \right)$

۶۴- یک مخزن صلب و کاملاً عایق‌بندی شده و تحت خلأ کامل توسط یک شیر به خط لوله‌ای حاوی گازی با فشار ثابت و آنتالپی در واحد جرم h مرتبط شده است. شیر را باز و مخزن را از گاز پر می‌کنیم. در صورتی که مقدار جرم وارد شده به مخزن m بوده و از انتقال حرارت بین گاز و مخزن صرف‌نظر شود، انرژی داخلی کل گاز درون مخزن پس از پر شدن، برابر کدام است؟

- (۱) h
 (۲) mh
 (۳) $mh - PV$
 (۴) $mh + PV$

۶۵- یک مول گاز ایدئال در دیاگرام PV در معرض ۳ فرایند مختلف مطابق شکل قرار گرفته است. نقطه ابتدایی فرایند ۱ بر روی خط هم‌دمای T_1 قرار گرفته و نقطه نهایی روی خط هم‌دمای T_2 قرار دارد. در مورد انتقال حرارت این فرایند، رابطه صحیح کدام است؟



$$(1) Q_{1-2} > Q_{1-2'} > Q_{1-2''}$$

$$(2) Q_{1-2} > Q_{1-2''} > Q_{1-2'}$$

$$(3) Q_{1-2''} > Q_{1-2'} > Q_{1-2}$$

$$(4) Q_{1-2''} > Q_{1-2} > Q_{1-2'}$$

۶۶- مخزنی کاملاً خالی با حجم 200 lit به یک خط لوله توسط شیری که ابتدا بسته بود، متصل است. هوا با فشار 4 MPa در لوله جریان دارد. شیر را به صورت تدریجی باز می‌کنیم به نحوی که در کل فرایند دمای هوا در مخزن با دمای ورودی آن ثابت می‌ماند. زمانی که فشار درون مخزن با فشار هوا در خط لوله برابر شد، شیر بسته می‌شود. چه مقدار گرما در طی این فرایند در واحد kJ مبادله می‌شود؟

- (۱) -400 (۲) -600 (۳) -750 (۴) -800

۶۷- بخار آب در فشار 600 kPa و دمای 200°C با سرعت $5 \frac{\text{m}}{\text{s}}$ و آنتالپی $2850 \frac{\text{kJ}}{\text{kg}}$ وارد یک شیپوره عایق شده

می‌شود و سپس با فشار 0.15 MPa و سرعت $300 \frac{\text{m}}{\text{s}}$ آن را ترک می‌کند. حالت ترمودینامیکی سیال در خروج

از شیپور چگونه است؟ (در فشار 0.15 MPa ، $h_f = 467.1 \frac{\text{kJ}}{\text{kg}}$ و $h_g = 2692.6 \frac{\text{kJ}}{\text{kg}}$)

- (۱) در حالت فوق گرم است.
 (۲) در حالت مخلوط دو فازی است.
 (۳) در حالت بخار اشباع است.
 (۴) در حالت مایع اشباع است.

۶۸- ضریب دوم ویرال گاز واقعی که ضریب تراکم آن از معادله $z = 1 + B'P + C'P^2 + D'P^3 + \dots$ پیروی می‌کند، برابر کدام است؟

$$(1) \lim_{P \rightarrow 0} \left(\frac{z-1}{P} \right)_T$$

$$(2) \lim_{P \rightarrow 0} \left(\frac{z-1}{P^2} \right)_T$$

$$(3) \lim_{P \rightarrow 0} \left(\frac{z+1}{P} \right)_T$$

$$(4) \lim_{P \rightarrow 0} \left(\frac{z+1}{P^2} \right)_T$$

۶۹- با استفاده از معادله کلاپیرون می‌توان:

- (۱) فقط گرمای نهان تبخیر را محاسبه نمود.
 (۲) فقط گرمای نهان ذوب را محاسبه نمود.
 (۳) وضعیت تعادل فازی را بررسی نمود.
 (۴) گرمای نهان را در هر نوع تغییر فاز محاسبه نمود.

۷۰- برای معادله واندروالس $(P + \frac{a}{V^2})(V - b) = RT$ ، ضریب دوم ویریا B برابر کدام است؟

$$B = b - \frac{a}{RT^2} \quad (۲) \qquad B = b^2 - \frac{1}{RT} \quad (۱)$$

$$B = b^2 - \frac{a}{RT} \quad (۴) \qquad B = b - \frac{a}{RT} \quad (۳)$$

۷۱- با توجه به اطلاعات داده شده، فشار بخار و دما برای یک ماده مشخص در صورتی که از حجم مخصوص مایع در برابر حجم مخصوص بخار صرف نظر شود و فاز بخار را بتوان گاز ایدئال در نظر گرفت، گرمای نهان تبخیر در مول ماده در

دمای ۴۰۰K ، برابر کدام است؟ (R ثابت کلی گاز بر حسب $\frac{\text{kJ}}{\text{mol.K}}$ است.)

T(K) P(kPa)

۲۹۹ ۲۳۰

۴۰۰ ۲۴۰

۴۰۱ ۲۵۰

$$۱۶۶/۶۶۷R \quad (۲)$$

$$۱۶/۶۶۶۶۷R \quad (۱)$$

$$۱۶۰۰۰۰۰R \quad (۴)$$

$$۶۶۶۶/۷R \quad (۳)$$

۷۲- یک سیستم بسته و غیرواکنشی شامل دو جزء ۱ و ۲ در حال تعادل مایع و بخار است. فاز بخار شامل دو جزء ۱ و ۲ بوده ولی جزء ۲ که یک گاز سبک است، اساساً در فاز مایع حل نمی‌شود. مقداری از جزء ۲ به سیستم تزریق می‌شود و دوباره سیستم به حال تعادل در همان دما و فشار اولیه برمی‌گردد. در حالت دوم نسبت به حالت اول تعداد مول فاز مایع:

(۲) افزایش می‌یابد.

(۱) کاهش می‌یابد.

(۴) به تعداد مول جزء ۲ افزوده شده، بستگی دارد.

(۳) تغییری نمی‌کند.

۷۳- با توجه به معادلات $d(\frac{G}{RT}) = \frac{V}{RT} dP - \frac{H}{RT^2} dT$ و $d(\frac{G^R}{RT}) = \frac{V^R}{RT} dP - \frac{H^R}{RT^2} dT$ ، دلیل استفاده از G^R

(انرژی گیبس باقیمانده نسبت به گاز ایدئال) به جای G (انرژی گیبس) برای تعیین سایر خواص ترمودینامیکی این

است که در انتگرال‌گیری از معادله $d(\frac{G}{RT})$:

(۱) در دمای ثابت، مقدار G در فشار صفر مشخص نیست.

(۲) در فشار ثابت، مقدار G در دمای صفر مشخص نیست.

(۳) در فشار ثابت، مقدار H در دمای صفر مشخص نیست.

(۴) در دمای ثابت، برای مایعات قابل استفاده نیست.

۷۴- براساس قضیه حالات متناظر دو پارامتری، کلیه سیالات:

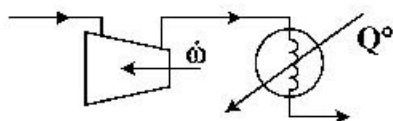
(۱) در دما و فشار یکسان دارای ضریب تراکم‌پذیری یکسان هستند.

(۲) در دمای کاهنده و فشار کاهیده یکسان، دارای ضریب تراکم‌پذیری یکسان هستند.

(۳) در دما، فشار و ضریب بی‌مرکزی یکسان، دارای ضریب تراکم‌پذیری یکسان هستند.

(۴) در دمای کاهیده و فشار کاهیده و ضریب بی‌مرکزی یکسان، دارای ضریب تراکم‌پذیری یکسان هستند.

۷۵ گازی با ظرفیت گرمایی $8 \frac{\text{J}}{\text{mol.K}}$ (دمای اولیه 300K و فشار 1bar) پس از تراکم در یک کمپرسور در یک مبدل حرارتی (بدون افت فشار) تا دمای 250K سرد می‌شود. در صورتی که مقدار انتقال حرارت در مبدل 400 وات باشد، توان مصرفی در کمپرسور چند وات است؟ (گاز ایدئال و دبی گاز $1 \frac{\text{mol}}{\text{s}}$ است)



(۱) ۲۰۰

(۲) ۴۰۰

(۳) ۸۰۰

(۴) ۱۲۰۰

۷۶- گزینه صحیح در مورد گرمای نهان تبخیر کدام است؟

- (۱) مقدار گرمای نهان تبخیر آب از بیشتر مایعات غیرسمی و غیرخورنده کمتر است.
- (۲) براساس رابطه تروتن رابطه‌ای خطی بین گرمای نهان تبخیر و نقطه جوش برقرار است.
- (۳) مقدار گرمای نهان تبخیر بیشتر مواد، نزدیک به گرمای نهان ذوب آن‌هاست.
- (۴) گرمای نهان تبخیر با افزایش دما، کاهش می‌یابد.

۷۷- برای گازی که از معادله واندروالس تبعیت می‌کند، فاکتور استنریک (ω) برابر کدام است؟

- (۱) $\omega = 0$ (۲) $0 < \omega < 1$ (۳) $\omega = 1$ (۴) $\omega > 1$

۷۸- هوا با فشار 100kPa و دمای 300K با سرعت خیلی کم وارد کمپرسوری شده و تا فشار 300kPa فشرده می‌شود، سپس از یک نازل عبور داده می‌شود تا سرعت آن به $300 \frac{\text{m}}{\text{s}}$ و دما و فشار خروجی از نازل با فشار و

دمای ورود به کمپرسور برابر شود. اگر کار مصرف شده توسط کمپرسور $300 \frac{\text{kJ}}{\text{kg}}$ باشد، حرارت خروجی از

کمپرسور در واحد $\frac{\text{kJ}}{\text{kg}}$ ، کدام است؟

- (۱) ۲۴۵ (۲) ۲۵۵ (۳) ۲۶۵ (۴) ۳۴۵

۷۹- هوا با سرعت $10 \frac{\text{m}}{\text{s}}$ و دمای 200°C وارد یک لوله افقی عایق‌بندی شده می‌گردد. در صورتی که سرعت خروج

هوا از لوله به $200 \frac{\text{m}}{\text{s}}$ برسد، دمای خروج هوا چند درجه سانتی‌گراد خواهد بود؟ (هوا یک گاز کامل با

$R = 0,287 \frac{\text{kJ}}{\text{kgK}}$ و $C_v = 0,713 \frac{\text{kJ}}{\text{kgK}}$ است.)

- (۱) ۲۲۰ (۲) ۲۲۵ (۳) ۱۸۰ (۴) ۱۷۵

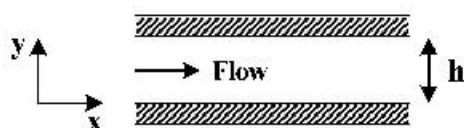
۸۰- کدام یک از گزینه‌های زیر صحیح است؟

- (۱) در فرایندی که گازی در یک پیستون سیلندر فرار گرفته، مجموع تغییرات انرژی پتانسیل و انرژی جنبشی صفر است.
- (۲) در هر فرایند آدیاباتیکی توسط یک سیستم بسته، انرژی درونی همواره افزایش می‌یابد.
- (۳) در یک فرایند غیرآدیاباتیکی یک سیستم بسته، انرژی پتانسیل سیستم بسته، افزایش می‌یابد.
- (۴) انرژی کل یک سیستم، که بی‌دررو است و با محیطش هیچ‌گونه کار مبادله نمی‌کند، ثابت است.

مکانیک سیالات و انتقال حرارت:

۸۱- اگر پروفیل سرعت یک سیال نیوتنی بین دو صفحه افقی با فاصله h از یکدیگر از رابطه $u_x = a \left[1 - \left(\frac{y}{h} \right)^2 \right]$

پیروی کند، تنش وارد بر سیال مجاور صفحات پایین و بالا، چه مقدار و در چه جهتی است؟



(۱) پایین صفر و بالا $\frac{2\mu a}{h}$ ، در جهت مثبت محور X

(۲) بالا صفر و پایین $\frac{2\mu a}{h}$ ، در جهت مثبت محور X

(۳) پایین صفر و بالا $\frac{2\mu a}{h}$ ، در خلاف جهت مثبت محور X

(۴) بالا صفر و پایین $\frac{2\mu a}{h}$ ، در خلاف جهت مثبت محور X

۸۲- در کدام حالت، یک مدل با نمونه اصلی، تشابه دینامیکی دارد؟

(۱) برابر بودن سرعتها در نقاط متناظر

(۲) متناظر بودن سرعتها در نقاط متناظر

(۳) متناظر بودن شکل هندسی و برابر بودن گروههای بدون بعد مستقل

(۴) متناظر بودن شکل هندسی و برابر بودن سرعتها در نقاط متناظر

۸۳- کدام گروه بدون بعد، در جریان درون لوله اهمیت دارد؟

(۱) اولر (Fr) (۲) وبر (We) (۳) فرود (Fr) (۴) گراشف (Gr)

۸۴- توان مورد نیاز برای انتقال ۳۱۴ لیتر آب در ثانیه از سطح یک دریاچه به بالای یک دکل به ارتفاع ۱۵ متر از طریق

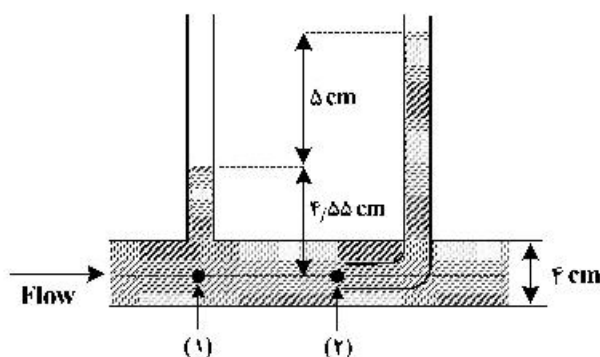
لوله‌ای به قطر ۲۰ سانتی‌متر، چند مگاوات است؟ (فشار نسبی مورد نیاز آب در بالای دکل حفاری 100 kPa ،

$g = 10 \text{ m/s}^2$ است. از افت اصطکاکی صرف‌نظر کنید و چگالی آب را 1000 کیلوگرم بر مترمکعب و ویسکوزیته

آب را 10^{-3} kg/m.s در نظر بگیرید.)

(۱) ۴۷۱ (۲) ۹۴٫۲ (۳) ۴۷٫۱ (۴) ۹٫۴۲

۸۵- با توجه به شکل زیر، دبی حجمی سیال درون لوله، چند سانتی‌مترمکعب بر ثانیه است؟ ($g = 10 \text{ m/s}^2$)



(۱) $3/6\pi$

(۲) 4π

(۳) 360π

(۴) 400π

۸۶ در جریان آرام یک سیال در داخل لوله‌ای به شعاع R ، اگر سرعت سیال در مرکز لوله $\frac{m}{s}$ باشد، سرعت سیال در

شعاع $r = \frac{R}{2}$ ، چند متر بر ثانیه است؟

- (۱) ۵ (۲) ۳ (۳) ۲ (۴) ۱

۸۷ کدام گزینه نشان دهنده عدد بدون بُعد است؟

σ : کشش سطحی v : سرعت μ : ویسکوزیته

(۱) $\frac{v\mu}{\sigma}$ (۲) $\frac{v\sigma}{\mu}$

(۳) $\frac{\sigma v^2}{\mu}$ (۴) $\frac{\mu v^2}{\sigma}$

۸۸ لوله‌ای به قطر ۵ متر جهت انتقال گاز با فشار ۱/۸ MPa به کار می‌رود. اگر فشار کششی مجاز لوله 150 MPa باشد، ضخامت دیواره لوله، چند میلی‌متر است؟

- (۱) ۱۰ (۲) ۱۵ (۳) ۲۰ (۴) ۳۰

۸۹ بدنه عمودی یک حوض پر از آب به شکل مربع و به طول ضلع ۳ متر است. گشتاور نیرو حول محور کف این بدنه چند نیوتن‌متر است؟

- (۱) $6/75\gamma$ (۲) $13/5\gamma$
(۳) 27γ (۴) 54γ

۹۰ جریانی از نفت خام در یک لوله به طول ۱۵ کیلومتر و قطر ۱۵ cm برقرار است. اگر تنش مماسی وارد بر دیواره لوله، ۱۰۰ پاسکال باشد، افت فشار در این خط لوله، چند مگاپاسکال خواهد بود؟

- (۱) ۱۶۰ (۲) ۸۰ (۳) ۴۰ (۴) ۲۰

۹۱ در داخل لوله‌ای به شعاع داخلی ۸ cm و شعاع بیرونی ۱۶ cm، سیالی جریان دارد. اگر دمای داخلی لوله 100°C باشد و همچنین سیال بیرون لوله باعث شود که دمای سطح بیرونی لوله در 25°C نگاه داشته شود، در حالت پایا نسبت گرادیان دمای سطح داخلی لوله به گرادیان دما در سطح بیرونی، برابر کدام است؟

- (۱) $\frac{1}{4}$ (۲) $\frac{1}{2}$
(۳) ۲ (۴) ۴

۹۲ در یک استوانه که که طول آن خیلی بزرگتر از شعاع آن است، حرارتی به مقدار \dot{q} در واحد حجم تولید می‌شود. در صورتی که ضریب هدایتی استوانه k ثابت باشد، معادله دیفرانسیل توزیع درجه حرارت در این استوانه، کدام است؟

(۱) $\frac{d^2T}{dr^2} + \frac{1}{r} \frac{dT}{dr} + \frac{\dot{q}}{k} = 0$ (۲) $r \frac{d^2T}{dr^2} + \frac{1}{r} \frac{dT}{dr} + \frac{\dot{q}}{k} = 0$

(۳) $\frac{1}{r} \frac{d^2T}{dr^2} + r \frac{dT}{dr} + \frac{\dot{q}}{k} = 0$ (۴) $\frac{d^2T}{dr^2} + \frac{dT}{dr} + \frac{\dot{q}}{k} = 0$

۹۳- دیوار کوره‌ای از چند ماده مرکب تشکیل شده است. برای جلوگیری از افت حرارتی کوره، ترتیب قرار گرفتن لایه‌ها از سمت گرم به سرد، بهتر است به چه نحو باشند؟ (از راست به چپ)

a لایه $K_a = 0.4 \frac{W}{m^{\circ}C}$

b لایه $K_b = 0.2 + 6 \times 10^{-2} T$

c لایه $K_c = 0.2 + 1 \times 10^{-3} T$

a, b, c (۲)

a, c, b (۱)

b, c, a (۴)

c, b, a (۳)

۹۴- دو صفحه سیاه و بی‌نهایت بزرگ در دمای T_1 و T_2 و به فاصله 0.5 متر از هم قرار گرفته‌اند. مقدار حرارت تبادل شده بین دو صفحه $4000 W$ است. اگر فاصله دو صفحه را از هم 10 برابر کنیم، مقدار حرارت تبادل شده بین دو صفحه، چند وات خواهد بود؟

۴۰۰ (۲)

۴۰ (۱)

۴۰۰۰ (۴)

۱۰۰۰ (۳)

۹۵- عدد گراشف بیانگر نسبت بین کدام یک است؟

(۲) نیروی شناوری به نیروی اینرسی

(۱) نیروی شناوری حرارتی به نیروی لزجی

(۴) انتقال حرارت جابه‌جائی به انتقال حرارت هدایتی

(۳) نیروی اینرسی به نیروی لزجی

۹۶- صفحه‌ای به صورت عمودی قرار گرفته و در محیطی است که عدد Re آن برابر 3×10^4 و عدد گراشف برابر

1.5×10^8 است. انتقال گرما از این صفحه به محیط اطراف خود، از کدام طریق انجام می‌شود؟

(۲) جابه‌جائی اجباری

(۱) جابه‌جائی آزاد

(۴) جابه‌جائی آزاد و جابه‌جائی اجباری

(۳) جابه‌جائی آزاد و هدایتی

۹۷- پنجره‌ای شیشه‌ای با ابعاد $1 \times 1 \times 0.1 m^3$ در یک ضلع اتاق نصب شده است. دمای داخل اتاق $30^{\circ}C$ و دمای

محیط خارج از اتاق $10^{\circ}C$ است. در صورتی که دمای سطح خارجی پنجره صفر درجه سانتی‌گراد و ضریب انتقال

حرارت جابه‌جائی در قسمت خارجی پنجره $h_c = 20 \frac{W}{m^2.K}$ باشد؛ با فرض این‌که شیشه مقاومتی در مقابل

انتقال حرارت نداشته باشد، ضریب انتقال حرارت داخل اتاق کدام است؟

$\frac{1}{0.20}$ (۲)

$\frac{1}{0.15}$ (۱)

$\frac{1}{0.30}$ (۴)

$\frac{1}{0.25}$ (۳)

۹۸- صفحه‌های نازک سرامیکی مستطیلی شکلی پس از خروج از کوره با قرار گرفتن در معرض هوا به صورت طبیعی

خنک می‌شوند. صفحه‌ها در کدام حالت زودتر خنک می‌شوند؟

(۲) آویزان کردن در امتداد عرض

(۱) افقی نگهداشتن صفحات

(۴) نگهداری صفحات به صورت مایل

(۳) آویزان کردن در امتداد طول

۹۹- توزیع دما برای حالتی که سیال بر روی صفحه تختی به طول L جریان داشته باشد، به صورت

$$\frac{\delta}{x} = \Delta Re^{-\frac{1}{2}} Pr^{-\frac{1}{3}} \quad \text{تعریف می شود. اگر ضخامت لایه مرزی حرارتی به صورت} \quad \frac{T - T_w}{T_\infty - T_w} = \frac{y}{\delta} - \frac{1}{2} \left(\frac{y}{\delta} \right)^2$$

باشد، رابطه نوسلت متوسط صفحه برابر کدام است؟ (T_w دمای سطح و T_∞ دمای سیال است.)

$$\text{(۱)} \quad 0.332 Re^{\frac{1}{2}} Pr^{\frac{1}{3}} \quad \text{(۲)} \quad 0.332 Re^{\frac{1}{2}} Pr^{\frac{1}{4}}$$

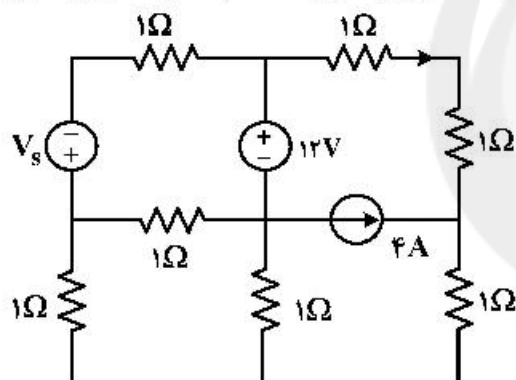
$$\text{(۳)} \quad 0.6 Re^{\frac{1}{2}} Pr^{\frac{1}{3}} \quad \text{(۴)} \quad 0.664 Re^{\frac{1}{2}} Pr^{\frac{1}{4}}$$

۱۰۰- علت نسبتاً زیاد بودن ضریب هدایتی مس، کدام است؟

- (۱) کم بودن میل ترکیبی آن
(۲) بالا بودن گرمای ویژه آن
(۳) بالا بودن دانسیته آن
(۴) وجود الکترون های آزاد آن

مدارهای الکتریکی (۲۰)

۱۰۱- در مدار زیر منبع جریان ۴ آمپری مقدار ۲۴ وات توان به شبکه تحویل می دهد. در مورد توان منبع

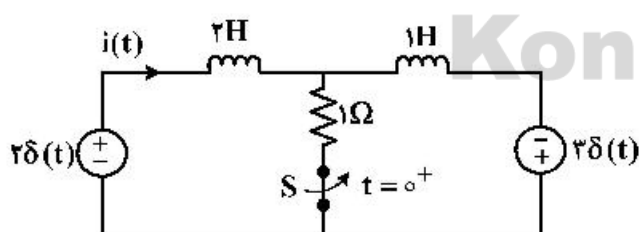


ولتاژ V_s ، گزینه صحیح کدام است؟

- (۱) $3.4W$ توان مصرف می کند.
(۲) $3.4W$ توان تولید می کند.
(۳) $646W$ توان مصرف می کند.
(۴) $646W$ توان تولید می کند.

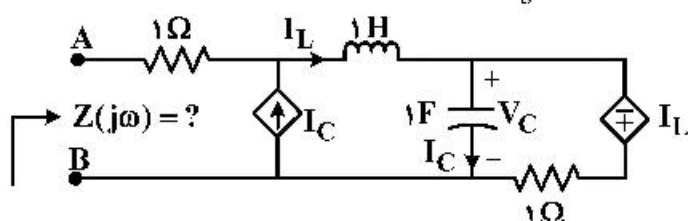
۱۰۲- در مدار زیر، کلید S در لحظه $t = 0^+$ باز می شود، جریان $i(t)$ بلافاصله بعد از باز شدن کلید، کدام است؟

(جریان اولیه هر دو سلف در $t = 0^-$ ، برابر صفر است.)



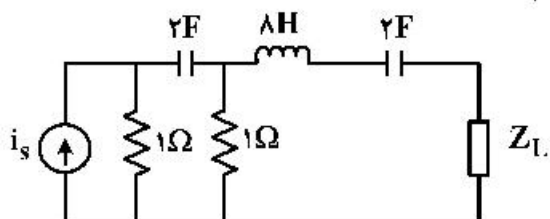
- (۱) $-\frac{1}{3}$
(۲) 0
(۳) $\frac{1}{3}$
(۴) $\frac{5}{3}$

۱۰۳- در مدار زیر، امپدانس دیده شده از دو سر A و B در فرکانس $\omega = 1 \frac{\text{rad}}{\text{s}}$ ، چقدر است؟

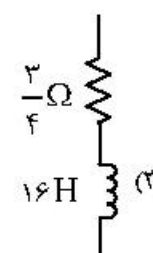
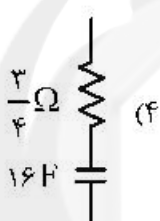
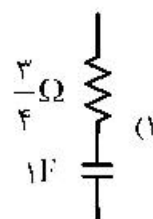
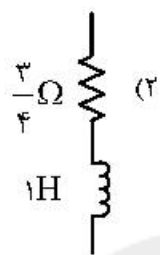


- (۱) $1+j$
(۲) $5+2j$
(۳) $1-j$
(۴) $2-5j$

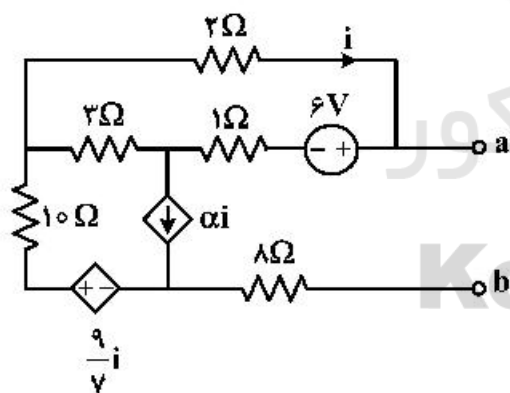
۱۰۴ در مدار زیر، کدام گزینه به جای Z_L قرار گیرد، تا در فرکانس $\omega = \frac{1}{4} \text{ rad/s}$ ، بیشترین توان متوسط به آن منتقل شود؟



$$i_s(t) = I_o \cos \omega t u(t)$$



۱۰۵ به ازای چه مقدار از α مدار زیر از دو سر a و b ، مقاومت تونن بی نهایت دارد؟



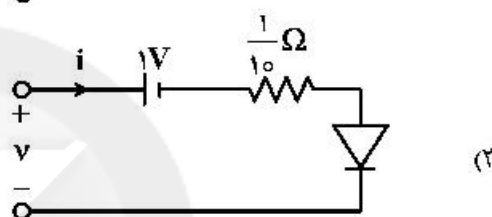
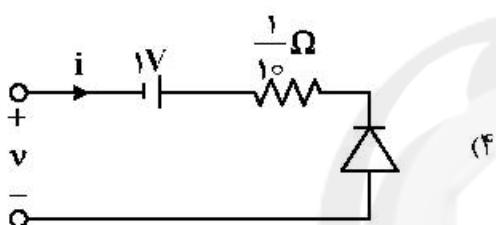
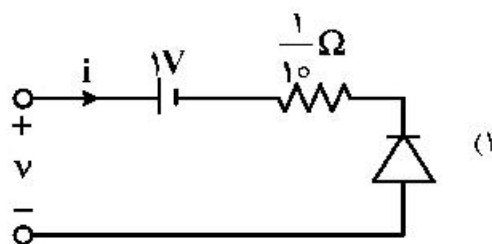
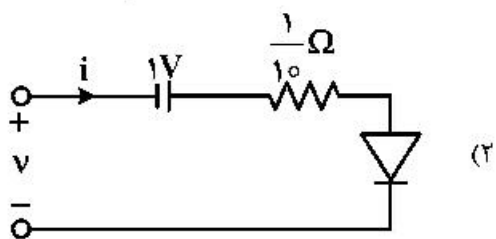
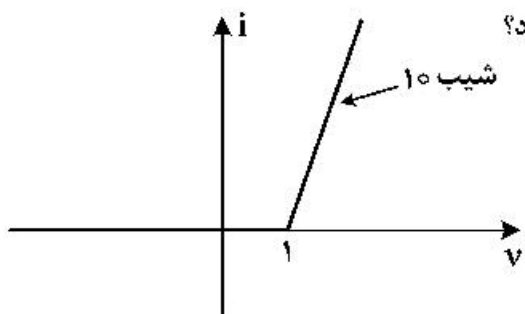
۱ (۱)

۲ (۲)

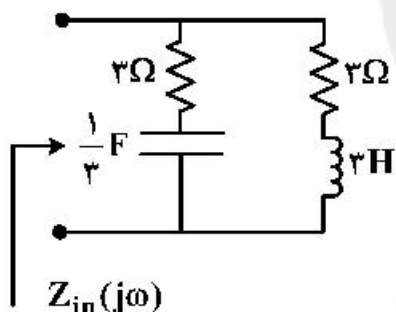
۳ (۳)

۴ (۴)

۱۰۶- مشخصه $i-v$ داده شده در شکل زیر، به کدام گزینه تعلق دارد؟
(دیودهای مدارها ایدئال هستند.)



۱۰۷- در مدار زیر، مقدار $|Z_{in}(j2013)|$ ، کدام است؟



- (۱) ۶
(۲) ۳
(۳) $\frac{3}{2}$
(۴) $\frac{1}{3}$

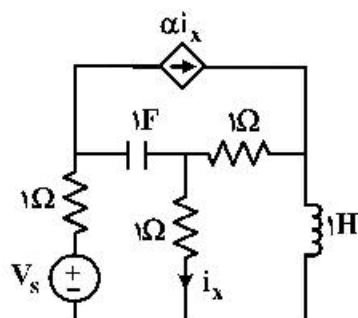
۱۰۸- پاسخ حالت صفر یک مدار LTI به ورودی $x(t) = e^{-3t}u(t)$ برابر $y(t) = (-e^{-t} + 4e^{-3t})u(t)$ است. پاسخ

حالت صفر به ورودی پله با دامنه ۲، کدام است؟

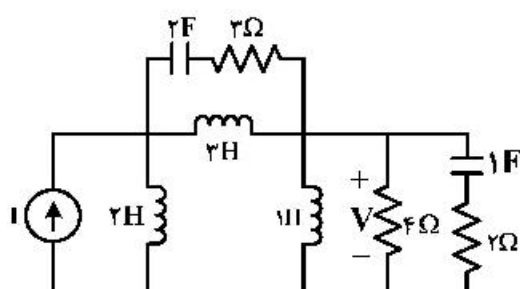
Konkur.in

- (۱) $(4e^{-t} + 2e^{-3t})u(t)$
(۲) $(2e^{-3t} + 4e^{-t} - 5e^{-3t})u(t)$
(۳) $2\delta(t) - 6e^{-3t}u(t)$
(۴) $(e^{-t} + e^{-3t})u(t)$

۱۰۹- به ازای چه مقدار یا چه مقادیری از α ، در مدار زیر همه فرکانس‌های طبیعی دارای جزء حقیقی منفی هستند؟

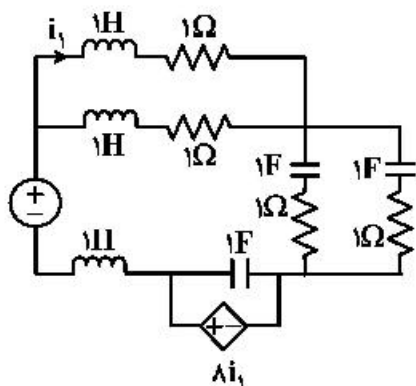


- (۱) $\alpha = 0$ و ۲
(۲) فقط $\alpha = 0$
(۳) هیچ مقدار
(۴) هر مقدار α



۱۱۰- تابع تبدیل $H(s) = \frac{V(s)}{I(s)}$ مدار زیر، حداکثر چند قطب دارد؟

- (۱) ۲
(۲) ۳
(۳) ۴
(۴) ۵

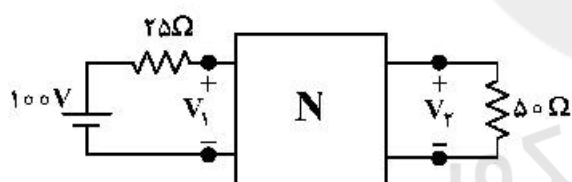


۱۱۱- مرتبه مدار زیر، کدام است؟

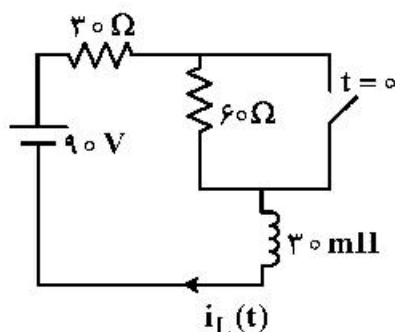
- (۱) ۳
(۲) ۴
(۳) ۵
(۴) ۶

۱۱۲- در مدار زیر، اگر پارامترهای ادمینانس دوقطبی N به صورت زیر باشد، ولتاژ ورودی V_1 چند ولت است؟

$$y = \begin{bmatrix} 10 & -5 \\ 50 & 20 \end{bmatrix} \text{ میلی زمینس (mS)}$$



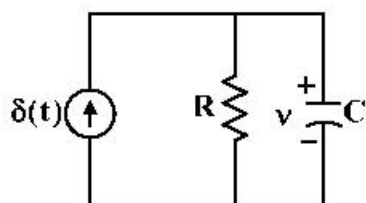
- (۱) $\frac{640}{9}$
(۲) $\frac{640}{7}$
(۳) $\frac{480}{9}$
(۴) $\frac{480}{7}$



۱۱۳- $i_L(t)$ در مدار روبه‌رو، کدام است؟

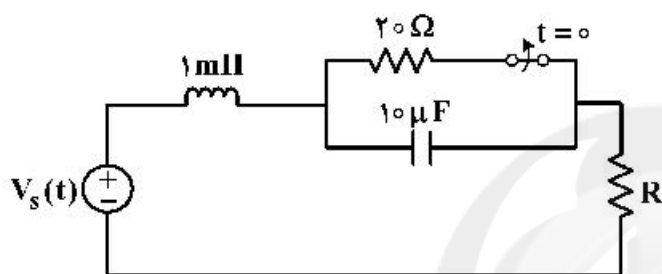
- (۱) $3 - 2e^{-1000t}$
(۲) $3 - 2e^{-e/1000t}$
(۳) $3(1 - e^{-e/1000t})$
(۴) $1 + 2e^{-1000t}$

۱۱۴- در مدار زیر، مقدار $\frac{dv(0^+)}{dt}$ کدام است؟ (خازن بدون ولتاژ اولیه است).



- (۱) ۰
 (۲) $-\frac{1}{RC^2}$
 (۳) $-\frac{R^2}{C}$
 (۴) $-\frac{1}{RC}$

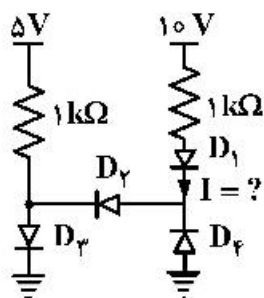
۱۱۵- به ازای مقاومت R چند اهمی، مدار در زمان‌های $t > 0$ ، میرای بحرانی است؟



- (۱) ۵
 (۲) ۱۰
 (۳) ۲۰
 (۴) ۲۵

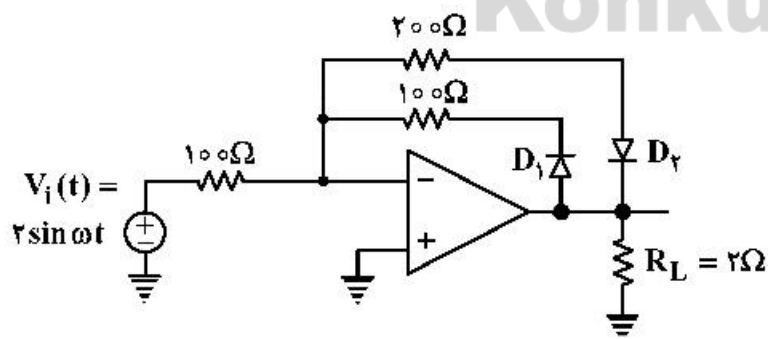
الکترونیک (۱ و ۲):

۱۱۶- در مدار زیر با فرض ایدئال بودن دیودها، مقدار جریان I، چند میلی آمپر است؟

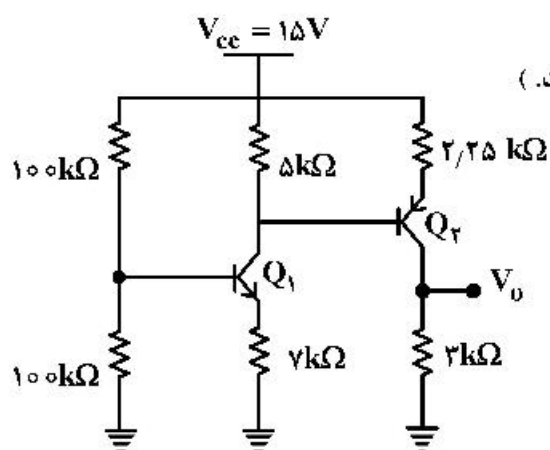


- (۱) ۰
 (۲) ۵
 (۳) ۱۰
 (۴) ۱۵

۱۱۷- در مدار زیر با فرض ایدئال بودن دیودها و آپ امپ، توان متوسط انتقالی به مقاومت بار R_L ، چند وات است؟



- (۱) ۱
 (۲) ۲/۵
 (۳) ۴
 (۴) ۵/۵



۱۱۸- در مدار زیر، مقدار V_0 چند ولت است؟

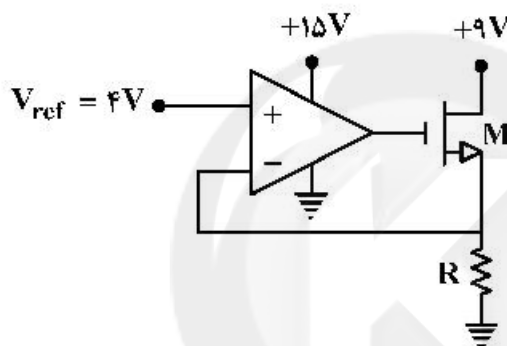
(فرض کنید $|V_{BE,on}| = 0.7V$ و مقدار β بسیار بزرگ است.)

- (۱) ۲
(۲) ۴
(۳) ۶
(۴) ۸

۱۱۹- در مدار زیر، حداقل مقدار مقاومت R که به ازای آن ترانزیستور M در ناحیه اشباع کار می‌کند، چند اهم است؟

$$V_T = 1V$$

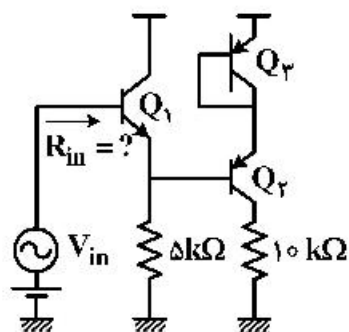
$$\mu_n c_{ox} \frac{W}{L} = 1 \frac{mA}{V^2}$$



- (۱) ۲۲۰
(۲) ۱۶۰
(۳) ۲۴۰
(۴) ۴۰۰

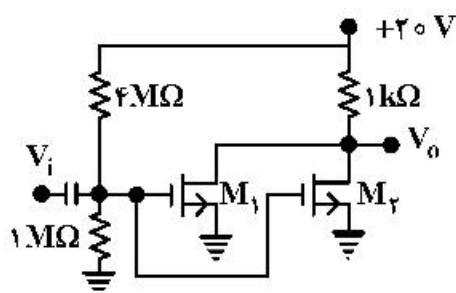
۱۲۰- با فرض $I_{C1} = 0.5mA$ ، $I_{C2} = 1mA$ ، $\beta = 100$ و $V_A = \infty$ ، مقاومت ورودی (R_{in}) در مدار زیر، تقریباً چند

کیلو اهم است؟



- (۱) ۱۸۰
(۲) ۲۵۵
(۳) ۲۵۰
(۴) ۵۲۰

۱۲۱- بهره و تناژ مدار زیر، کدام است؟

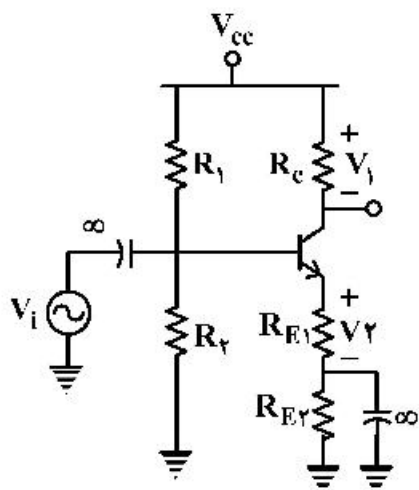


$$V_{T1} = 2V, \mu_n c_{ox} \left(\frac{W}{L} \right)_1 = \frac{4mA}{V^2}$$

$$V_{T2} = 2V, \mu_n c_{ox} \left(\frac{W}{L} \right)_2 = \frac{2mA}{V^2}$$

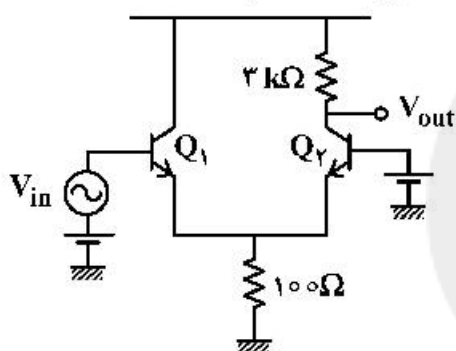
- (۱) -۴
(۲) -۱۲
(۳) -۱۶
(۴) -۸

۱۲۲- در تقویت کننده زیر، ولتاژهای DC مشخص شده با V_1 و V_2 به ترتیب ۳V و ۱۲.۵mV است. بهره ولتاژ آن چقدر است؟



- (۱) -۲۰
(۲) -۲۴
(۳) -۳۰
(۴) -۴۸

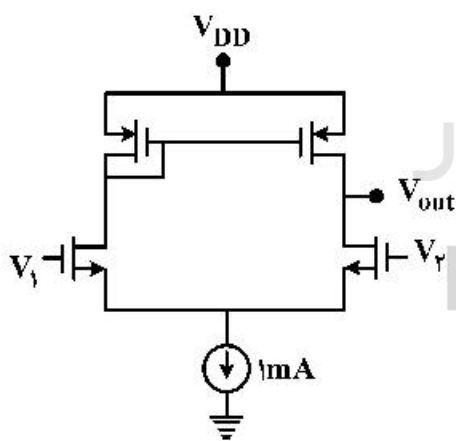
۱۲۳- با فرض اینکه جریان بایاس هر دو ترانزیستور در مدار زیر، 0.75mA است، بهره ولتاژ کدام است؟



(فرض کنید: $\beta = \infty$ و $V_A = \infty$ است.)

- (۱) ۳۰
(۲) ۲۰
(۳) ۱۵
(۴) ۱۰

۱۲۴- در مدار زیر، بهره ولتاژ $A_v = \frac{V_{out}}{V_1 - V_2}$ کدام است؟



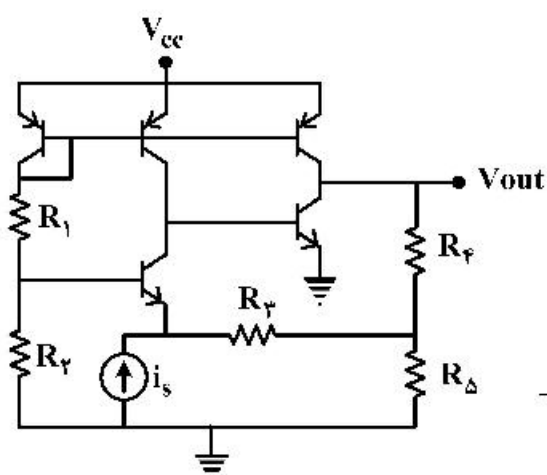
$$\lambda_n = 0.1\text{V}^{-1}$$

$$\lambda_p = 0.2\text{V}^{-1}$$

$$g_{mn} = 6\frac{\text{mA}}{\text{V}}$$

$$g_{mp} = 3\frac{\text{mA}}{\text{V}}$$

- (۱) ۲۰
(۲) ۴۰
(۳) ۸۰
(۴) ۱۰۰



۱۲۵- در مدار زیر، مقدار تقریبی بهره $A = \frac{V_{out}}{i_s}$ ، کدام است؟

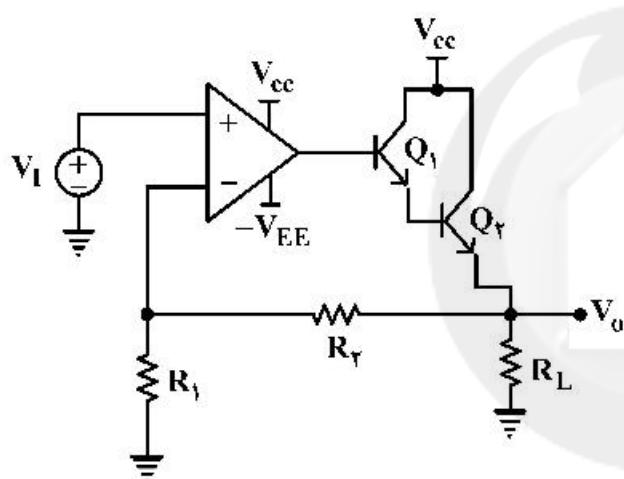
(فرض کنید: $\beta = \infty$ و $V_A = \infty$)

$$-\left(R_f + R_f + \frac{R_f R_\Delta}{R_\Delta}\right) \quad (1)$$

$$-\left(R_f + R_\Delta + \frac{R_f R_\Delta}{R_f}\right) \quad (2)$$

$$-\left(R_f + R_f + (R_1 \parallel R_f) + \frac{\{R_f + (R_1 \parallel R_f)\} R_f}{R_\Delta}\right) \quad (3)$$

$$-\left(R_f + R_\Delta + \frac{R_f R_\Delta}{R_f + (R_1 \parallel R_f)}\right) \quad (4)$$



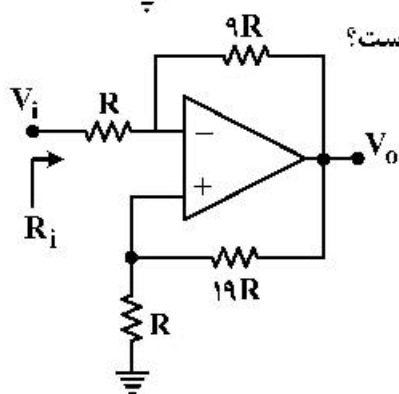
۱۲۶- در مدار زیر، مقدار V_o بر حسب V_i ، کدام است؟

$$V_o = V_i \left(1 - \frac{R_f}{R_i}\right) \quad (1)$$

$$V_o = -\frac{R_f}{R_i} V_i \quad (2)$$

$$V_o = V_i \left(1 + \frac{R_f}{R_i}\right) \quad (3)$$

$$V_o = -\frac{R_i}{R_f} V_i \quad (4)$$



۱۲۷- با فرض ایدئال بودن آپ امپ، مقاومت ورودی (R_i) در مدار تقریباً چند R است؟

$$0/1 \quad (1)$$

$$0/2 \quad (2)$$

$$0/5 \quad (3)$$

$$1 \quad (4)$$

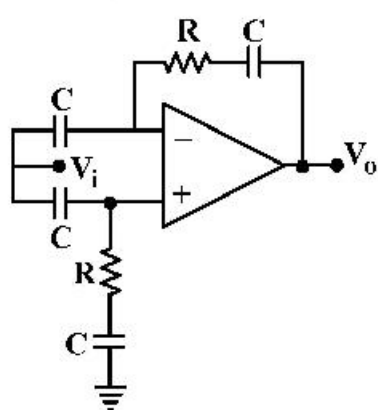
۱۲۸- با فرض ایدئال بودن OP-AMP، بهره $\frac{V_o}{V_i}$ ، کدام است؟

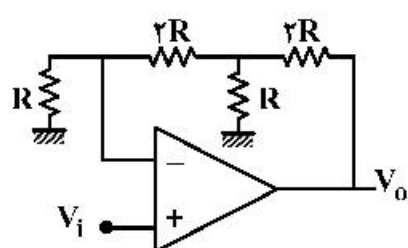
$$-RCs \quad (1)$$

$$1 + RCs \quad (2)$$

$$\frac{RCs + 2}{RCs + 1} \quad (3)$$

$$\text{صفر} \quad (4)$$



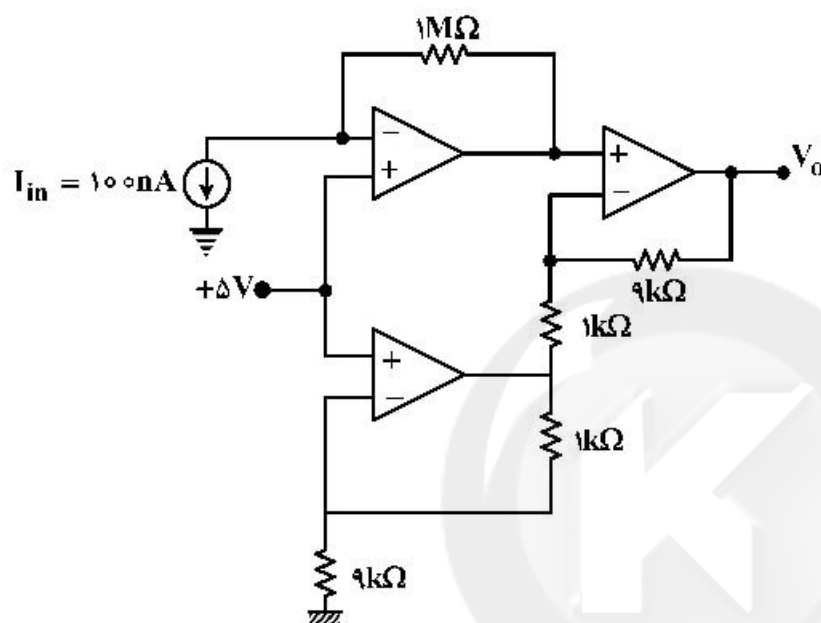


۱۲۹- بهره مدار زیر، کدام است؟

- (۱) ۵
- (۲) ۷
- (۳) ۹
- (۴) ۱۱

۱۳۰- ولتاژ خروجی V_o در مدار زیر، چند ولت است؟

- (۱) ۵/۱
- (۲) ۱
- (۳) ۵
- (۴) ۱۰



سایت کنکور

Konkur.in



سایت کنکور

Konkur.in



سایت کنکور

Konkur.in



سایت کنکور

Konkur.in