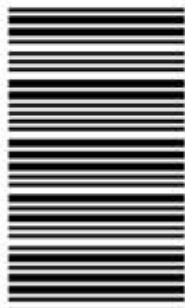


کد کنترل

123

F



123F

صبح پنج‌شنبه

۹۷/۲/۶



«اگر دانشگاه اصلاح شود مملکت اصلاح می‌شود.»
امام خمینی (ره)

جمهوری اسلامی ایران
وزارت علوم، تحقیقات و فناوری
سازمان سنجش آموزش کشور

آزمون ورودی دوره‌های کارشناسی ارشد ناپیوسته داخل - سال ۱۳۹۷

مهندسی مکانیک بیوسیستم - کد (۱۳۱۹)

مدت پاسخگویی: ۱۶۵ دقیقه

تعداد سؤال: ۱۵۵

عنوان مواد امتحانی، تعداد و شماره سؤالات

ردیف	مواد امتحانی	تعداد سؤال	از شماره	تا شماره
۱	زبان عمومی و تخصصی (انگلیسی)	۳۰	۱	۳۰
۲	ریاضیات	۲۵	۳۱	۵۵
۳	استاتیک، دینامیک و مقاومت مصالح	۲۵	۵۶	۸۰
۴	طراحی اجزاء ماشین و طراحی ماشین‌های کشاورزی	۲۵	۸۱	۱۰۵
۵	مکانیک سیالات و ترمودینامیک	۲۵	۱۰۶	۱۳۰
۶	ابزار اندازه‌گیری	۲۵	۱۳۱	۱۵۵

استفاده از ماشین حساب مجاز نیست.

این آزمون نمره منفی دارد.

حل چاپ، تکثیر و انتشار سؤالات به هر روش (الکترونیکی و...) پس از برگزاری آزمون، برای تمامی اشخاص حقیقی و حقوقی تنها با مجوز این سازمان مجاز می‌باشد و با متخلفین برابر مقررات رفتار می‌شود.

۱۳۹۷

* داوطلب گرامی، عدم درج مشخصات و امضا در مندرجات جدول ذیل، به منزله عدم حضور شما در جلسه آزمون است.

اینجانب با شماره داوطلبی در جلسه این آزمون شرکت می‌نمایم.

امضا:

زبان عمومی و تخصصی (انگلیسی):

PART A: Vocabulary

Directions: Choose the word or the phrase (1), (2), (3), or (4) that best completes the blank. Then mark the correct choice on your answer sheet.

- 1- Fierce winds and deadly waves were only one ----- many explorers like Christopher Columbus confronted when sailing to unknown lands.
1) suspension 2) obstacle 3) shortage 4) variation
- 2- In urban desert areas potable water supplies are stressed by increasing demands that leave water managers ----- to find new supplies.
1) discouraging 2) refusing 3) invading 4) struggling
- 3- The sense of smell diminishes with advancing age—much more so than the sensitivity to taste. This ----- may result from an accumulated loss of sensory cells in the nose.
1) decrease 2) merit 3) ambiguity 4) defense
- 4- True, all economic activities have environmental consequences. Nevertheless, the goal of shrimp producers should be to reduce the ----- effects on the environment as much as possible.
1) indigenous 2) competitive 3) deleterious 4) imaginary
- 5- Like most successful politicians, she is pertinacious and single-minded in the ----- of her goals.
1) pursuit 2) discipline 3) permanence 4) involvement
- 6- Knowing that everyone would ----- after graduation, she was worried that she would not see her friends anymore.
1) emerge 2) conflict 3) differentiate 4) diverge
- 7- Certain mental functions slow down with age, but the brain ----- in ways that can keep seniors just as sharp as youngsters.
1) composes 2) conveys 3) compensates 4) corrodes
- 8- It is argued by some that hypnosis is an effective intervention for ----- pain from cancer and other chronic conditions.
1) displacing 2) alleviating 3) exploring 4) hiding
- 9- Children who get ----- atmosphere at home for studies perform better than students who are brought up under tense and indifferent family atmosphere.
1) favorable 2) valid 3) obedient 4) traditional
- 10- The post office has promised to resume first class mail ----- to the area on Friday.
1) attention 2) progress 3) expression 4) delivery

PART B: Cloze Passage

Directions: Read the following passage and decide which choice (1), (2), (3), or (4) best fits each space. Then mark the correct choice on your answer sheet.

Colette began painting while she was still in her youth. (11) ----- 1970, she completed her first performance with *Hommage a Delacroix*, (12) ----- was the beginning of an artistic career (13) ----- to the oneness of art and life. (14) -----, actions and performances on streets and public squares, followed by her "living environments" and the "windows", (15) ----- in a selected pose with an elaborate arrangement of fabrics and lace.

- 11- 1) Since the year
2) During a year of
3) For a year of
4) In the year
- 12- 1) that it
2) which
3) that
4) it
- 13- 1) devoted
2) was devoted
3) to devote
4) devoting
- 14- 1) Street works then came
2) Then came street works
3) There coming then street works with
4) With street works then to come
- 15- 1) she remained motionless
2) that in there she remained motionless
3) in which she remained motionless
4) that in it motionless she remained

PART C: Reading Comprehension:

Directions: Read the following three passages and answer the questions by choosing the best choice (1), (2), (3), or (4). Then mark the correct choice on your answer sheet.

PASSAGE 1:

There are two types of agricultural crop residues. Field residues are materials left in an agricultural field or orchard after the crop has been harvested. These residues include stalks and stubble (stems), leaves, and seed pods. The residue can be ploughed directly into the ground, or burned first. Good management of field residues can increase efficiency of irrigation and control of erosion. Process residues are materials left after the crop is processed into a usable resource. These residues include husks, seeds, bagasse, molasses and roots. They can be used as animal fodder and soil amendment, fertilizers and in manufacturing. Nutrients in most crop residue are not immediately available for crop use. Their release (called generalization) occurs over a period of years. The biological processes involved in soil nutrient cycles are complex. As a rough guide, cereal straw releases about 10 to 15 per cent of its nutrients and pea residues release about 35 percent of their nutrients by the next year. The speed of generalization depends on the nitrogen and lignin content, soil moisture, temperature, and degree of mixing with the soil. N is released fairly quickly from residue when the content is higher than 1.5 per cent. In contrast, below 1.2 per cent, soil-available N is fixed (called immobilization) by the microbes as they decompose the residue. Thus pea residue would have short- and long-term benefits to soil fertility, whereas cereal straw would reduce next year's soil supply of available nutrients. Over time, the nutrients fixed by soil microbes and humus are released and available to crops. Nutrients from residue are not fully

recovered by crops. Just like fertilizer nutrients, nutrients released from crop residue into the soil are susceptible to losses such as leaching, denitrification, immobilization, and fixation.

- 16- **It is stated in the passage that -----.**
- 1) process residues are the materials collected from crop processing
 - 2) pea residue has over seven short-term benefits to soil fertility
 - 3) soil-available N is fixed by 1 per cent of soil's microorganisms
 - 4) generalization occurs faster in pea residues than cereal straw
- 17- **The passage points to the fact that -----.**
- 1) seed pods are among field residues
 - 2) crop use depends heavily on crop residue
 - 3) husks have very little nutritive value
 - 4) microbes fix the soil's needed humus
- 18- **According to the passage, -----.**
- 1) process residue denitrification happens very quickly
 - 2) fertilizer nutrients are not immune to immobilization
 - 3) orchard residues release far more N than field residues
 - 4) field residues cannot be ploughed directly into the ground
- 19- **We understand from the passage that -----.**
- 1) soil's lignin content is an index of its moisture
 - 2) field residue lowers the efficiency of irrigation
 - 3) animal fodder is often used for soil amendment
 - 4) processes involved in nutrient cycles are simple
- 20- **The word 'stubble' in the passage (underlined) is closest to -----.**
- 1) 'root'
 - 2) 'branch'
 - 3) 'straw'
 - 4) 'trunk'

PASSAGE 2:

Agricultural drones are drones applied to farming in order to help increase crop production and monitor crop growth. Through the use of advanced sensors and digital imaging capabilities, farmers are able to use these drones to help them gather a richer picture of their fields. Information gathered from such equipment may prove useful in improving crop yields and farm efficiency. Agricultural drones allow relief for the modern day farmer. Drone technology can cut down labor requirements and reduce resource requirements (such as fresh water and pesticides). Farmers are also able to use drones to retrieve aerial-view images of their fields; there are currently three different types of view provided to the farmer through a drone. The first is seeing the crop from a birds' eye view; this particular view can reveal many issues such as irrigation problems, soil variation, and of course, pest and fungal infestations. The second view that is able to be received from the drones is something known as multispectral images; these images are used to show an infrared view as well as a visual spectrum view. When these views are combined, the farmer is able to see the differences between healthy and unhealthy plants. This difference is not always clearly visible to the naked eye, so having the ability to see the crops from these views can assist the farmer with assessing crop growth, as well as crop production. Additionally, the drone can survey the crops for the farmer periodically to their liking. From a

choice of weekly, daily, or to each hour, the farmer is able to use this information to show the changes in the crops over time, thus showing where there might be some "trouble spots".

- 21- **The passage does not mention that a drone's 'bird's eye view' can show -----.**
- 1) 'soil variation'
 - 2) 'fungal infestations'
 - 3) 'yield variety'
 - 4) 'irrigation problems'
- 22- **The passage points to the fact that drones can -----.**
- 1) assess crop growth for nearby farms
 - 2) remove the trouble spots on the ground
 - 3) can help crop management and rotation
 - 4) survey the crops even on an hourly basis
- 23- **It is stated in the passage that drone technology... -----.**
- 1) provides up to ten different types of view of a spot
 - 2) does away the need for the use of the naked eye
 - 3) requires very little energy to function efficiently
 - 4) reduces fresh water and pesticide requirements
- 24- **The passage mentions that the farmer is able to see the differences between healthy and unhealthy plants through a(n) -----.**
- 1) close aerial-view image
 - 2) multispectral image
 - 3) visual spectrum view
 - 4) an infrared view
- 25- **The word 'relief' in the passage (underlined) is best related to -----.**
- 1) 'warning'
 - 2) 'comfort'
 - 3) 'safety'
 - 4) 'profit'

PASSAGE 3:

A hedge trimmer, shrub trimmer, or bush trimmer is a gardening tool or machine used for trimming hedges or solitary shrubs. Different designs as well as manual and powered versions of hedge trimmers exist. The power source of stand-alone hedge trimmers can be human power, gasoline, or electricity. Manual hedge trimmers are designed as large scissors or large pruning shears. They do not need anything to operate and are cheapest/most environmentally friendly. Motorized hedge trimmers allow work to be done faster and with less effort than manual ones. Their cutting mechanism is similar to that of finger-bar mowers. Powered trimmers are generally designed with safety devices such that they work only when both of the operator's hands are on the handles. Gasoline-powered trimmers tend to be more powerful but can be heavier and more difficult to start. Electrical trimmers tend to be lighter and less powerful (than gasoline variants) as well as less polluting/noisy, yet still require an electrical cord with most types (if not equipped with rechargeable batteries). Tractor-mounted and tractor-driven hedge trimmers also exist, but are not that common. These machines consist of a moveable arm (hydraulic boom) with a large hedge trimmer attachment at its end. Their cutting mechanism is similar to that of finger-bar mowers. Such large hedge trimmers are often confused with tractor-mounted reach flail mowers (booms with flail mower attachments), which appear similar due to the use of booms. And in colloquial language both, tractor-mounted hedge trimmers and reach flail mowers, are imprecisely called hedge cutters, or brush cutters. In contrast to tractor-mounted hedge trimmers, reach flail mowers have a different cutting mechanism, and are not only used for

trimming hedges, but also in several other fields of application (mowing taller grass, road verge cutting, ditch maintenance, etc.).

26- The passage mentions that -----.

- 1) manual hedge trimmers are smaller than pruning shears
- 2) gasoline-run hedge trimmers do not work with one hand
- 3) large hedge trimmers have two tall booms as attachments
- 4) most stand-alone hedge trimmers run only on both gasoline

27- It is stated in the passage that -----.

- 1) electrical trimmers do not produce any noise
- 2) shrub trimmers are faster than bush trimmers
- 3) a hydraulic boom has moveable arms at its end
- 4) reach flail mowers are also called brush cutters

28- The passage points to the fact that tractor-driven hedge trimmers and motorized hedge trimmers -----.

- 1) are used mainly in road verge cutting (of taller grass)
- 2) produce as much power as large electrical trimmers
- 3) are lighter but less powerful than gasoline trimmers
- 4) look like each other in their cutting mechanism

29- According to the passage, -----.

- 1) electrical trimmers can run on rechargeable batteries
- 2) stand-alone hedge trimmers cannot be used manually
- 3) motorized hedge trimmers cannot usually work slowly
- 4) tractor-mounted hedge trimmers include reach flail mowers

30- The word 'ditch' in the passage (underlined) is closest to -----.

- 1) 'lawn'
- 2) 'light-post'
- 3) 'channel'
- 4) 'farm-gate'

ریاضیات:

۳۱- حاصل $\lim_{x \rightarrow 0} \frac{\sqrt{1+x^2}-1}{1-\cos 2x}$ ، کدام است؟

۱) (۱)

$\frac{1}{2}$ (۲)

$\frac{1}{4}$ (۳)

$-\frac{1}{2}$ (۴)

۳۲- اگر $a_n = \frac{2n^2 - n}{n^2 + 2}$ ، $n \in \mathbb{N}$ و $f(x) = \frac{x + [x]}{x + 2}$ آنگاه $\lim_{n \rightarrow \infty} f(a_n)$ کدام است؟

(۱) $\frac{3}{4}$

(۲) $\frac{2}{3}$

(۳) $\frac{1}{3}$

(۴) صفر

۳۳- کدام یک از موارد زیر در خصوص معکوس تابع $y = \log_2(x + \sqrt{x^2 + 1})$ صدق می‌کند؟

(۱) نسبت به مبدأ مختصات متقارن است.

(۲) نسبت به محور Xها متقارن است.

(۳) نسبت به محور Yها متقارن است.

(۴) نسبت به نیمساز ناحیه اول و سوم صفحه مختصات متقارن است.

۳۴- مقدار $\left(\frac{\sqrt{3} + i}{2}\right)^{-9}$ برابر کدام است؟ ($i^2 = -1$)

(۱) $-i$

(۲) -1

(۳) i

(۴) 1

۳۵- مشتق مرتبه صدم تابع $y = \ln(2x - x^2)$ ، به ازای $x = 1$ ، کدام است؟

(۱) $2 \times 99!$

(۲) $-2 \times 99!$

(۳) $2 \times 101!$

(۴) $-2 \times 101!$

۳۶- مقدار $\frac{d^2y}{dx^2}$ در تابع پارامتری $\begin{cases} x = \ln(1 + t^2) \\ y = t - \text{Arctan } t \end{cases}$ ، به ازای $t = 2$ ، کدام است؟

(۱) $\frac{3}{8}$

(۲) $\frac{5}{8}$

(۳) $\frac{3}{4}$

(۴) $\frac{5}{4}$

۳۷- به ازای کدام مقادیر حقیقی m ، معادله $f(x) = x^3 - 2x^2 - 4mx = 0$ دارای سه ریشه حقیقی متمایز است؟

(۱) $m < -3$

(۲) $m > -3$

(۳) $m > -\frac{1}{4}$

(۴) $m > \frac{1}{4}$

۳۸- حاصل انتگرال $\int_0^{\infty} \frac{dx}{(x^2+1)(x^2+4)}$ کدام است؟

(۱) $\frac{\pi}{6}$

(۲) $\frac{\pi}{8}$

(۳) $\frac{\pi}{12}$

(۴) $\frac{3\pi}{16}$

۳۹- در کدام یک از فاصله‌های زیر، سری $\sum_{n=1}^{\infty} \frac{1}{n!} \left(\frac{n}{x}\right)^n$ همگرا است؟

(۱) $x > \frac{1}{e}$

(۲) $x < \frac{1}{e}$

(۳) $x < e$

(۴) $x > e$

۴۰- طول قوس یک قطعه از منحنی پیوسته $9y^2 = 4(1+x^2)^3$ ، محدود به دو نقطه $x=0$ و $x=3$ ، کدام است؟

(۱) ۱۲

(۲) ۱۵

(۳) ۱۸

(۴) ۲۱

۴۱- اگر $A = \begin{bmatrix} 2 & 1 & 1 \\ 0 & 1 & 0 \\ 1 & 1 & 2 \end{bmatrix}$ ، امتداد (بردار) ویژه متناظر با بزرگ‌ترین مقدار ویژه ماتریس A ، کدام است؟

(۱) $\begin{bmatrix} 0 \\ a \\ a \end{bmatrix}$

(۲) $\begin{bmatrix} a \\ 0 \\ -a \end{bmatrix}$

(۳) $\begin{bmatrix} a \\ 0 \\ a \end{bmatrix}$

(۴) $\begin{bmatrix} a \\ -a \\ 0 \end{bmatrix}$

۴۲- به‌ازای کدام مقدار a ، تابع $f(x, y) = \begin{cases} \frac{x^2 + ay^2}{xy} & (x, y) \neq (0, 0) \\ 0 & (x, y) = (0, 0) \end{cases}$ در مبدا مختصات پیوسته است؟

(۱) ۱

(۲) -۱

(۳) هر مقدار a

(۴) هیچ مقدار a

۴۳- مشتق سویی (جهتی) تابع $f(x, y, z) = xy^2 + yz - 2x\sqrt{z}$ در نقطه $A(-2, 2, 1)$ در امتداد برداری که نقطه A را به نقطه $B(4, -1, 3)$ می‌رساند، کدام است؟

(۱) $\frac{17}{7}$

(۲) $-\frac{17}{7}$

(۳) $\frac{41}{7}$

(۴) $-\frac{41}{7}$

۴۴- اگر $u^2 = x^2 y$ و $v^2 = xy^2$ باشند، مقدار $\frac{\partial(u, v)}{\partial(x, y)}$ کدام است؟

(۱) $\frac{1}{3}$

(۲) $\frac{4}{9}$

(۳) $\frac{2}{3}$

(۴) ۳

۴۵- بیشترین مقدار تابع $z = 3x + 4y$ با شرط $x^2 + y^2 = 4$ ، کدام است؟

(۱) ۵

(۲) ۸

(۳) ۱۰

(۴) ۱۲

۴۶- حجم محدود به استوانه $x^2 + y^2 = 4$ و صفحات $y + z = 4$ و $z = 0$ ، کدام است؟

(۱) 8π

(۲) 16π

(۳) 24π

(۴) 32π

۴۷- مساحت قسمتی از مخروط $z = \sqrt{x^2 + y^2}$ که داخل استوانه $x^2 + y^2 = 2x$ واقع است، کدام است؟

(۱) π

(۲) $\sqrt{2}\pi$

(۳) 2π

(۴) 4π

۴۸- فاصله مرکز ثقل سطح نیم‌دایره‌ای $y = \sqrt{9 - x^2}$ با محور x ها، کدام است؟

(۱) $\frac{2}{3}$

(۲) $\frac{3}{2}$

(۳) $\frac{4}{\pi}$

(۴) $\frac{3}{\pi}$

۴۹- کار انجام شده توسط نیروی $\vec{F}(x,y) = (x^2+y)\hat{i} - (y^2+2x)\hat{j}$ روی مسیر دایره‌ای شکل $x^2+y^2=9$ در جهت مثبت، کدام است؟

(۱) صفر

(۲) 27π (۳) -27π (۴) 9π

۵۰- حاصل $\iint_S xz^2 dydz + (x^2y - z^2) dx dz + (2xy + y^2z) dx dy$ روی سطح خارجی نیم کره بسته $z = \sqrt{4-x^2-y^2}$ ، کدام است؟

(۱) 12π (۲) 16π (۳) $\frac{32\pi}{5}$ (۴) $\frac{64\pi}{5}$

۵۱- معادله دیفرانسیل متناظر با مسیرهای قائم دسته منحنی‌های $y = \text{Arcsin} \sqrt{\frac{C}{x-1}}$ ، کدام است؟

(۱) $y' \tan y - 2x + 2 = 0$ (۲) $y' \tan y + 2x - 2 = 0$ (۳) $y' \cotg y - 2x = 0$ (۴) $y' \cotg y + 2x = 0$

۵۲- جواب عمومی معادله دیفرانسیل $y' = (x-y)^2 + 1$ ، کدام است؟

(۱) $y = x + c - \frac{1}{x}$ (۲) $y = x - \frac{1}{x+c}$ (۳) $y = x + c + \frac{1}{x}$ (۴) $y = x + \frac{c}{x+1}$

۵۳- عامل انتگرال‌ساز معادله دیفرانسیل $(x^2+y^2+x) dx + xy dy = 0$ ، کدام است؟

(۱) x (۲) y (۳) x^2 (۴) $\frac{1}{x}$

۵۴- جواب عمومی معادله دیفرانسیل $y'' - 6y' + 13y = 13x^2 - 25x + 8$ کدام است؟

(۱) $y = Ae^{rx} \cos(3x + \alpha) + x^2 + 2x$

(۲) $y = Ae^{rx} \sin(3x + \alpha) + x^2 - 2x$

(۳) $y = Ae^{rx} \cos(2x + \alpha) + x^2 + x$

(۴) $y = Ae^{rx} \sin(2x + \alpha) + x^2 - x$

۵۵- حاصل $\int_0^{\infty} te^{-t} \sin 2t dt$ کدام است؟

(۱) ۰٫۱۲

(۲) ۰٫۱۶

(۳) ۰٫۲۴

(۴) ۰٫۳۲

استاتیک، دینامیک و مقاومت مصالح:

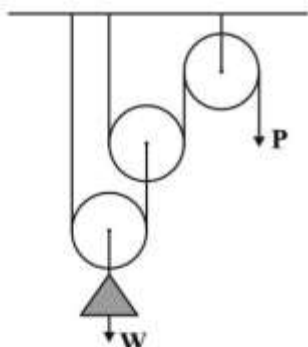
۵۶- در شکل زیر مقدار نیروی P بر حسب W چقدر است؟

(۱) $\frac{W}{2}$

(۲) $\frac{W}{3}$

(۳) $\frac{W}{4}$

(۴) $\frac{W}{5}$



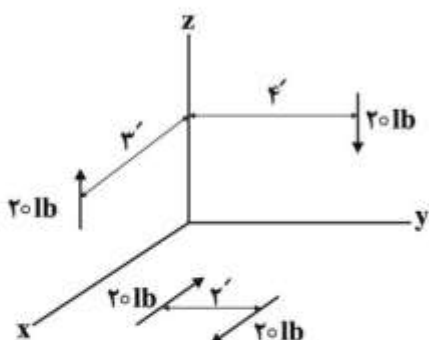
۵۷- جمع برداری گشتاور حاصله از دو زوج نیروی زیر کدام است؟

(۱) $-8\mathbf{j} - 6\mathbf{i} + 4\mathbf{k}$

(۲) $-8\mathbf{i} - 6\mathbf{j} + 4\mathbf{k}$

(۳) $-8\mathbf{i} - 6\mathbf{j} - 4\mathbf{k}$

(۴) $-8\mathbf{j} - 6\mathbf{i} - 4\mathbf{k}$



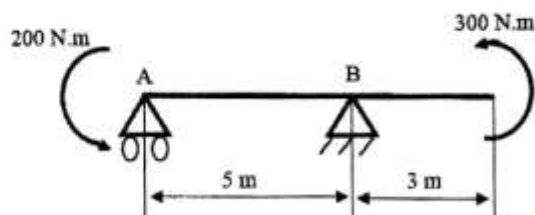
۵۸- در شکل زیر عکس‌العمل تکیه‌گاه A چند نیوتن است؟

(۱) ۱۰۰

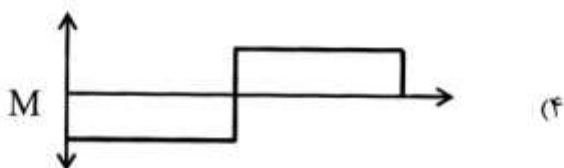
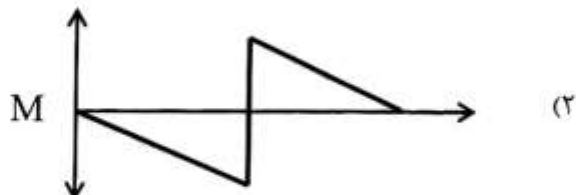
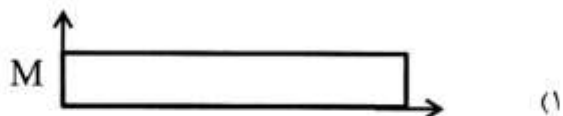
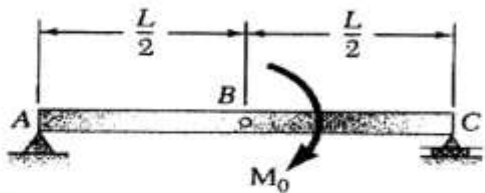
(۲) ۱۵۰

(۳) ۲۰۰

(۴) ۳۰۰



۵۹- برای تیر شکل زیر، منحنی تغییرات گشتاور در طول تیر کدام است؟



۶۰- در شکل زیر فنرها یکسان می‌باشند و طول هر یک در حالت طبیعی ۰/۴ متر است. وقتی که جرم ۴۸ کیلوگرم در

نقطه B آویزان می‌شود، طول فنرها به ۰/۶ متر افزایش می‌یابد، ثابت فنر $k(\frac{N}{m})$ چقدر است؟ ($g = 10 \frac{m}{s^2}$)



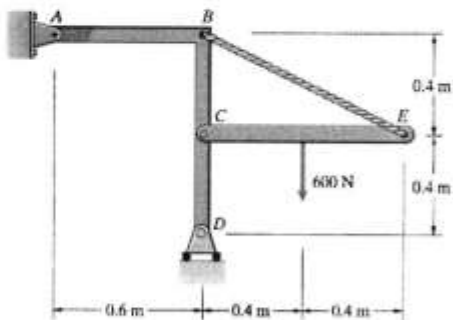
(1) $800\sqrt{3}$

(2) $1600\sqrt{3}$

(3) $\frac{800}{\sqrt{3}}$

(4) $\frac{1600}{\sqrt{3}}$

۶۱- در شکل زیر، مؤلفه عمودی نیروی تکیه‌گاهی در نقطه C (C_y) چند N است؟



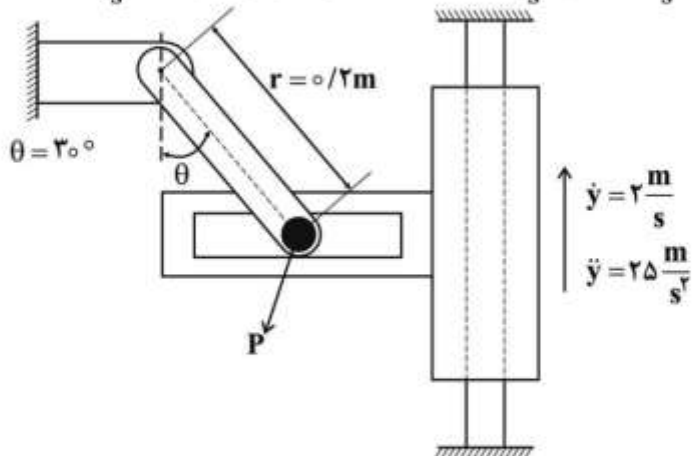
(1) 300

(2) 600

(3) 900

(4) 1200

۶۲- در مکانیسم نشان داده شده در یک لحظه خاص $\dot{y} = 2 \frac{m}{s}$ و $\ddot{y} = 25 \frac{m}{s^2}$ است. سرعت پین p چند $(\frac{m}{s})$ است؟



(۱) ۱

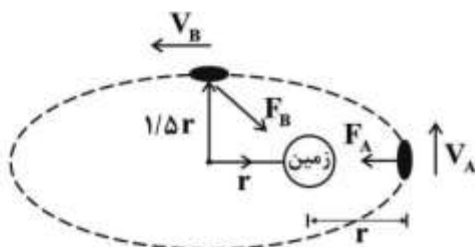
(۲) ۲

(۳) $\frac{1}{2}$

(۴) $\sqrt{2}$

۶۳- یک ماهواره حول زمین در حال حرکت است. بردارهای سرعت و نیرو در دو نقطه A و B نشان داده شده است.

سرعت نقطه B بر حسب سرعت نقطه A چقدر است؟



(۱) $V_B = V_A$

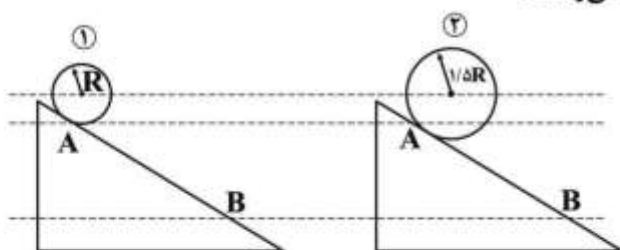
(۲) $V_B = \frac{1}{2} V_A$

(۳) $V_B = \frac{1}{3} V_A$

(۴) $V_B = \frac{2}{3} V_A$

۶۴- دو استوانه با جرم حجمی یکسان ولی شعاع‌های مختلف از حالت سکون و بدون لغزش از یک سطح شیب‌دار و از

نقطه A به نقطه B می‌رسند. کدام یک به نقطه B زودتر می‌رسند؟



(۱) هم‌زمان می‌رسند.

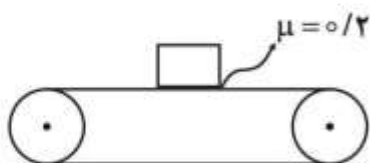
(۲) استوانه ۱ زودتر می‌رسد.

(۳) استوانه ۲ زودتر می‌رسد.

(۴) به جرم استوانه‌ها بستگی دارد.

۶۵- جعبه‌ای بر روی تسمه نقاله‌ای که با سرعت $1 \frac{m}{s}$ حرکت می‌کند، قرار می‌گیرد. ضریب اصطکاک بین جعبه و تسمه

0.2 می‌باشد. چند ثانیه طول می‌کشد تا لغزش جعبه بر روی تسمه متوقف شود؟ (جرم جعبه ۱ کیلوگرم می‌باشد).



(۱) $g = 10 \frac{m}{s^2}$

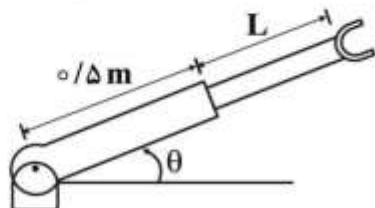
(۲) 0.2

(۳) 0.5

(۴) ۱

(۵) ۵

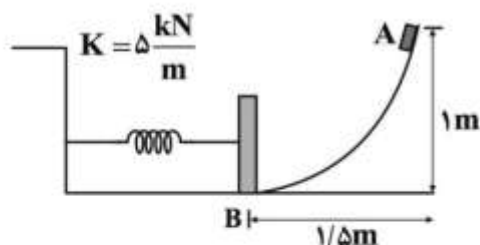
۶۶- در مکانیزم رباتیکی زیر، طول بازو برابر 0.5 m است. در موقعیت $\theta = 30^\circ$ اگر سرعت دوران بازوی دوار $1 \frac{\text{rad}}{\text{s}}$ و ثابت باشد و بازوی لغزنده در موقعیتی که $L = 0.5\text{ m}$ است دارای سرعت خطی $0.1 \frac{\text{m}}{\text{s}}$ و شتاب $0.2 \frac{\text{m}}{\text{s}^2}$ باشد،



اندازه شتاب گیره P چند $\frac{\text{m}}{\text{s}^2}$ است؟

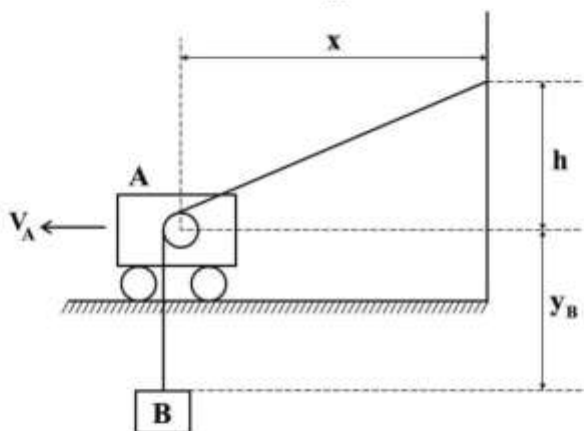
- (۱) 0.22
 (۲) 0.62
 (۳) 0.82
 (۴) 1.24

۶۷- جعبه‌ای به وزن 100 N از نقطه A حرکت نموده و در نقطه B توسط فنری که ضریب سختی آن $5 \frac{\text{kN}}{\text{m}}$ است به حالت سکون درمی‌آید. اگر اصطکاک ناچیز فرض شود، حداکثر مقداری که فنر متراکم می‌شود چند میلی‌متر است؟



- (۱) 100
 (۲) 200
 (۳) 300
 (۴) 400

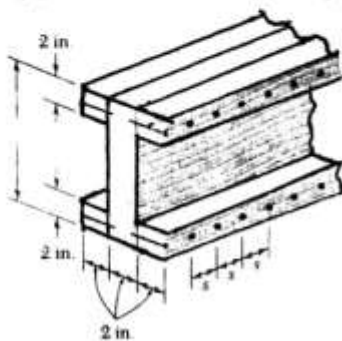
۶۸- جسم A با سرعت V_A در مسیر نشان داده شده حرکت می‌کند. در شکل زیر $\frac{V_B}{V_A}$ چقدر است؟



- (۱) $\frac{-x}{\sqrt{x^2 + h^2}}$
 (۲) $\frac{h}{\sqrt{x^2 + h^2}}$
 (۳) $\frac{\sqrt{x^2 + 2h^2}}{\sqrt{x^2 + h^2}}$
 (۴) $\frac{\sqrt{2x^2 + h^2}}{\sqrt{x^2 + h^2}}$

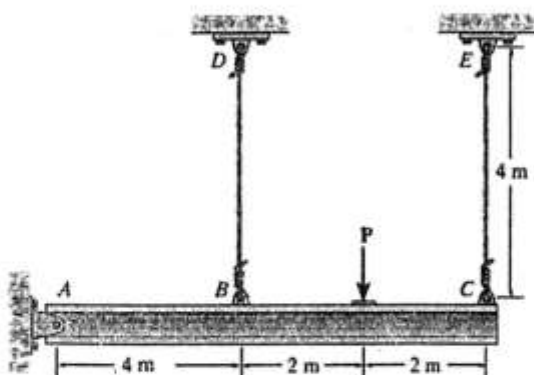
۶۹- تیر مرکب چوبی نشان داده شده در معرض نیروی برش عمودی 1200 lb قرار می‌گیرد. با فرض اینکه نیروی برشی مجاز در هر میخ 240 lb باشد، بزرگ‌ترین فاصله مجاز S بین میخ‌ها چند in است؟

$$(Q = 40\text{ in}^3, I = 400\text{ in}^4)$$



- (۱) 1.5
 (۲) 2
 (۳) 3
 (۴) 4.25

۷۰- تیر صلب ABC به وسیله لولای A و دو سیم با جنس سطح مقطع و طول یکسان نگه داشته می شود. نیروی وارد بر سیم BD چند P است؟



(۱) $\frac{2}{10}$

(۲) $\frac{3}{10}$

(۳) $\frac{6}{10}$

(۴) $\frac{8}{10}$

۷۱- بیشینه تنش کششی برای میله‌ای با مقطع دایره‌ای به شعاع r که تحت گشتاور پیچشی T قرار گرفته است. برابر 70 MPa می باشد. اگر این تیر تحت گشتاور خمشی برابر $M = \frac{T}{4}$ قرار گیرد، بیشینه تنش کششی در این

حالت چند مگاپاسکال می شود؟

(۱) ۳۵

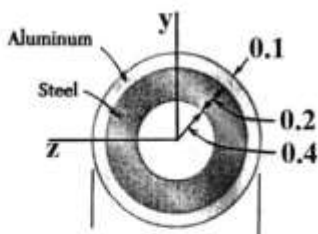
(۲) ۷۰

(۳) ۱۰۵

(۴) ۱۴۰

۷۲- در یک تیر مرکب با مقطع نشان داده شده اگر مدول الاستیسیته فولاد و آلومینیم به ترتیب $30 \times 10^6 \text{ psi}$ و $10 \times 10^6 \text{ psi}$ و گشتاور خمشی 5 kip.in به تیر اعمال شود، حداکثر تنش در فولاد و آلومینیم به ترتیب از راست

به چپ چند (ksi) است؟ ($I_{st} = 0.12 \text{ in}^4$ و $I_{Al} = 0.14 \text{ in}^4$)



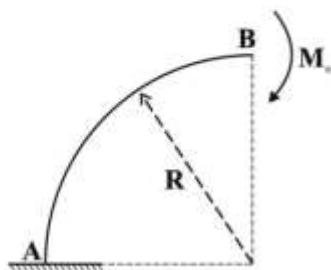
(۱) ۴-۵

(۲) ۷-۵

(۳) ۸-۹

(۴) ۷-۱۸

۷۳- به سازه زیر گشتاور M_0 در نقطه B وارد شده است. جابه جایی قائم نقطه B چقدر است؟



(۱) $\frac{M_0 R}{EI}$

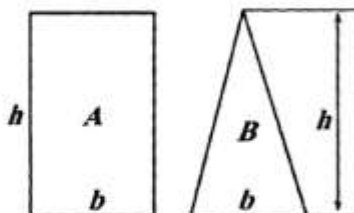
(۲) $\frac{\pi M_0 R^2}{EI}$

(۳) $\frac{M_0 R^2}{EI}$

(۴) $\frac{\pi^2 M_0 R}{EI}$

۷۴- دو تیر با سطح مقطع مثلثی و مستطیلی تحت گشتاور خمشی بیشینه M_A و M_B قرار گرفته‌اند. اگر بیشینه

تنش کششی وارده به این دو تیر با هم برابر باشد، نسبت $\frac{M_A}{M_B}$ چقدر می‌شود؟



(۱) ۲

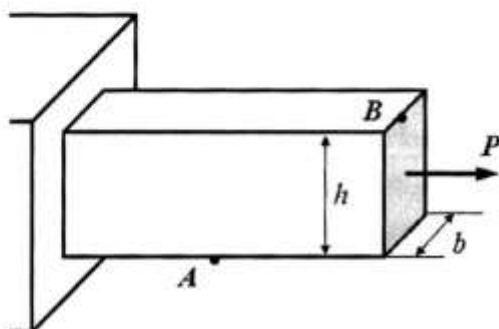
(۲) ۳

(۳) ۴

(۴) ۶

۷۵- نسبت تنش وارده به نقطه A وقتی که بار P به مرکز تیر وارد می‌شود به زمانی که به نقطه B وارد می‌شود، چقدر

است؟

(۱) $-\frac{2}{3}$ (۲) $-\frac{1}{4}$ (۳) $-\frac{1}{2}$

(۴) -۱

۷۶- اگر در یک میله دو سرگیردار، مدول یانگ دو برابر و ضریب انبساط حرارتی ماده استفاده شده $\frac{1}{3}$ شود، مقدار

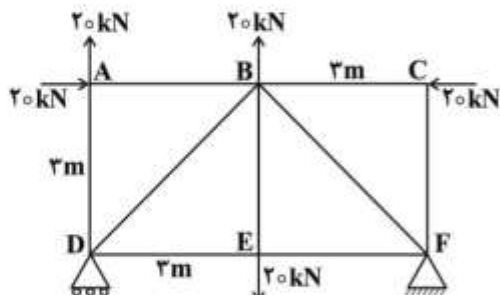
مجاز افزایش دما (به شرط ثابت ماندن میزان تنش قائم) چند برابر می‌شود؟

(۱) $\frac{1}{6}$ (۲) $\frac{2}{3}$ (۳) $\frac{3}{2}$

(۴) ۶

۷۷- در خرپای زیر، اگر سطح مقطع عضوهای BE و AD با هم برابر باشد، تنش در عضو BE چند برابر تنش در عضو

AD است؟



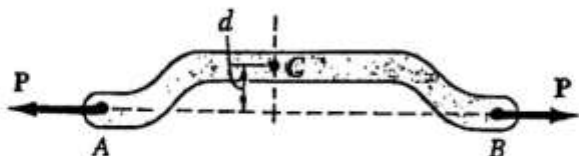
(۱) نصف

(۲) دو برابر

(۳) چهار برابر

(۴) مساوی هستند.

۷۸- طبق شکل زیر، در میله دایره‌ای توپری به قطر 2.0 mm خمی به اندازه d ایجاد می‌شود. با فرض آن که نیروی کششی P برابر 314 N باشد و بیشینه تنش میله پس از ایجاد خم 4 برابر تنش در حالت خم نشده باشد، بزرگ‌ترین مقدار مجاز خم (d) چند میلی‌متر است؟



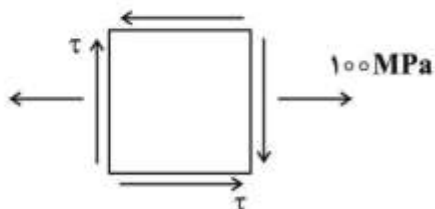
(۱) ۵

(۲) $7/5$

(۳) ۱۰

(۴) $12/5$

۷۹- برای حالت تنش صفحه‌ای نشان داده شده در صورتی که بزرگ‌ترین تنش عمودی 150 MPa باشد، تنش برشی ماکزیمم چند مگاپاسکال است؟



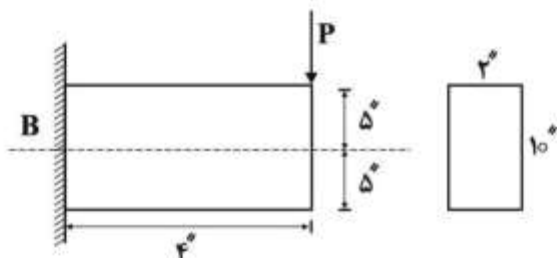
(۱) ۵۰

(۲) ۱۰۰

(۳) ۱۵۰

(۴) ۲۰۰

۸۰- اگر حداکثر تنش برشی در مقطع B برای قطعه مستطیلی به ابعاد 2×10 معادل 450 psi باشد، آنگاه تنش اصلی روی این مقطع چند psi است؟



(۱) ۳۰۰

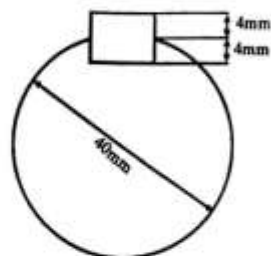
(۲) ۳۶۰

(۳) ۷۲۰

(۴) ۹۰۰

طراحی اجزاء ماشین و طراحی ماشین‌های کشاورزی:

۸۱- الکتروموتوری با توان 5 kW و دور 750 rpm می‌چرخد. برای اتصال محور این الکتروموتور به قطر 40 mm به یک کوبلینگ، از خار مربعی به ابعاد $8 \times 8 \text{ mm}$ و طول 20 mm استفاده شده است. تنش برشی در خار چند



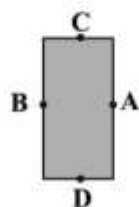
MPa است؟

(۱) $20/8$

(۲) ۴۰

(۳) $63/7$ (۴) $78/5$

۸۲- در شفت با مقطع مستطیل تحت پیچش، بیشترین تنش در کجا قرار دارد؟



(۱) A

(۲) C

(۳) B و A

(۴) D و C

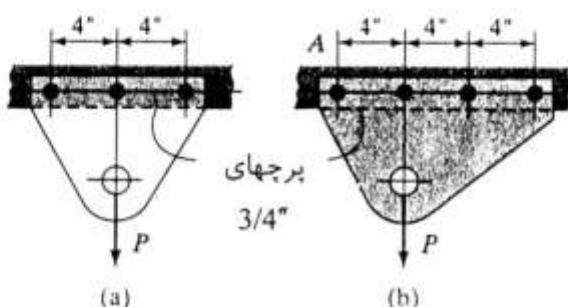
۸۳- دو قطعه توسط یک پیچ و مهره به هم متصل شده‌اند. اگر پیش بار $F_i = 1000\text{ N}$ و نیروی وارده بر هر قطعه $P = 1500\text{ N}$ باشند و رابطه بین ضریب سختی پیچ و قطعه $K_m = 9k_b$ باشد. نیروی وارد بر پیچ (F_b) و قطعه (F_m) به ترتیب از راست به چپ چند نیوتن است؟

- (۱) ۱۱۵۰-۰
(۲) ۱۵۰۰-۰
(۳) ۱۱۵۰-۳۵۰
(۴) ۱۵۰۰-۳۵۰

۸۴- تلرانس در چه وضعیتی در نظر گرفته شود تا به آن تلرانس یک طرفه گویند؟

- (۱) در یک طرف اندازه اسمی
(۲) در یک طرف اندازه واقعی
(۳) در دو طرف اندازه اسمی
(۴) در دو طرف اندازه واقعی

۸۵- در اتصالات پرچی نشان داده شده در شکل، کدام یک نیروی P بیشتری را تحمل می‌کند؟



- (۱) با هم فرقی ندارند و بار مساوی تحمل می‌کند.
(۲) چون تعداد پرچ‌ها بیشتر است.
(۳) چون پرچ‌ها متقارن هستند.
(۴) بستگی به فاصله دارد.

۸۶- با کوچکتر کردن دایره مبنا، زاویه فشار و تداخل به ترتیب چگونه تغییر می‌کنند؟

- (۱) افزایش - بیشتر
(۲) کاهش - بیشتر
(۳) افزایش - کمتر
(۴) کاهش - کمتر

۸۷- هنگام برش ساقه توسط تیغه (knife section) و ضد تیغه (Guard) کدام مراحل به ترتیب و پشت سرهم اتفاق می‌افتند؟

- (۱) فشردگی و برش - فقط برش
(۲) فشردگی و برش - فشردگی
(۳) فشردگی - فقط برش
(۴) فقط برش - فشردگی

۸۸- نقطه اتصال مجازی محل تلاقی امتداد کدام مورد است و در چه وضعیتی بازویی برای تحلیل نیرویی استفاده می‌شود؟

- (۱) دوبازوی تحتانی - بازویی مقید
(۲) سه‌بازوی اتصال سه‌نقطه - بازویی آزاد
(۳) دو بازوی تحتانی - بازویی آزاد
(۴) سه‌بازوی اتصال سه‌نقطه - بازویی مقید

۸۹- چرا به‌هنگام عملیات خاک‌ورزی، کشش زنجیره‌های کناری بازوهای تحتانی تراکتور کم در نظر گرفته می‌شود؟

- (۱) کمک‌به برقراری تراز عرضی
(۲) کمک‌به حفظ تعادل جانبی تراکتور
(۳) کمک‌به انتقال وزن بیشتر به محور عقب
(۴) فرمان‌گیری راحت تراکتور و ادوات در سرپیچ‌ها

۹۰- نیروی کشش لازم برای کشیدن هر خیش یک گاواهن چهارخیشه کشیدنی $2/5$ کیلونیوتن است. مقدار وزن روی هر یک از سه چرخ آن 1000 نیوتن است. اگر ضریب مقاومت غلتش چرخ‌ها $0/2$ باشد، نیروی کشش کل گاواهن چند کیلونیوتن است؟

- (۱) $2/7$
(۲) $10/0$
(۳) $10/2$
(۴) $10/6$

۹۱- روش شخم با هرس بشقابی آفست (Heavy-duty offset disk) شبیه کدام یک از ادوات زیر باید اجرا شود؟

- (۱) کلوش‌شکن
(۲) گاواهن قلمی
(۳) گاواهن برگرداندار
(۴) هرس بشقابی تاندوم

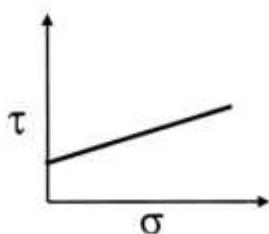
۹۲- اگر گشتاور وزن گاوآهن برگرداندار سوار از گشتاور نیروی مقاوم وارده از طرف خاک به جنبش‌ها بیشتر شود، فنر حس‌کننده واحد کنترل کشش (Draft Control) واقع در پشت بازوی وسط در چه حالتی قرار دارد و آیا سیستم کنترل کشش صحیح عمل می‌کند؟

- (۱) فشار - خیر (۲) کشش - خیر (۳) کشش - بلی (۴) فشار - بلی

۹۳- برای کاشت در دیم‌زارها، باید سعی شود که شیار بازکن خاک مرطوب را از لایه پایین تر به محیط کاشت بذر آورد. کدام شیار بازکن مناسب است؟

- (۱) بشقابی (۲) تک‌دیسکی (۳) دودیسکی (۴) بیلچه‌ای

۹۴- شکل زیر منحنی موهر - کولمب را برای یک نوع خاک نشان می‌دهد. این خاک دارای کدام خواص مکانیکی مشخص است؟



- (۱) فقط چسبندگی

- (۲) فقط اصطکاک داخلی

- (۳) اصطکاک داخلی و چسبندگی

- (۴) این نمودار مشخص کننده خواص مکانیکی خاصی نمی‌باشد.

۹۵- آرایش تیغه‌ها در یک روتوتیلر (خاک‌همزن) است. این آرایش موجب شدن گشتاور بیشینه مورد نیاز برای کار کردن آن می‌شود.

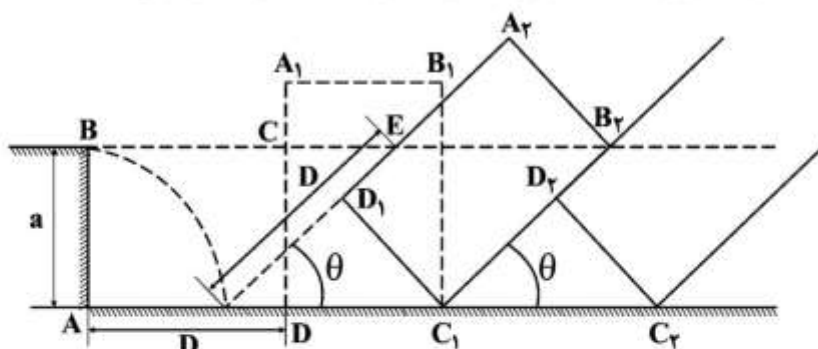
- (۱) یکنواخت - کم (۲) مارپیچی - کم (۳) مارپیچی - زیاد (۴) یکنواخت - زیاد

۹۶- در گاوآهن‌های بشقابی، فاصله و قطر به ترتیب چگونه تغییر کند تا ارتفاع ناهمواری‌های کف شیار شخم بیشتر شود؟

- (۱) افزایش - افزایش (۲) کاهش - افزایش

- (۳) افزایش - کاهش (۴) کاهش - کاهش

۹۷- در شخم برگردان، به‌ازای چه نسبتی از عمق و عرض شیار بیشترین سطح تماس خاک با هوا به‌جود می‌آید؟



$$\frac{a}{b} = 1/41 \quad (1)$$

$$\frac{b}{a} = 1/41 \quad (2)$$

$$\frac{b}{a} = 0,705 \quad (3)$$

$$\frac{a}{b} = 0,705 \quad (4)$$

۹۸- تئوری تنش قائم بیشینه برای چه نوع ماده‌ای استفاده می‌شود؟

- (۱) مواد زیستی (۲) مواد غیر فولادی (۳) مواد ترد (Brittle) (۴) مواد داکتیل (Ductile)

۹۹- اگر در موورهای شانه‌ای، T فاصله نوک تا نوک دوتیغه و t فاصل نوک تا نوک دوانگشتی باشد، رابطه بین این‌ها و S (کورس تیغه) در یک برش با کورس دابل چگونه است؟

$$S = 2T = t \quad (1)$$

$$S = 2T = 2t \quad (2)$$

$$S = T = t \quad (3)$$

$$S = T = 2t \quad (4)$$

۱۰۰- در موور شانهای اگر سرعت پیشروی $1/2$ کیلومتر بر ساعت و سرعت دورانی محور لنگ 180 دور بر دقیقه باشد، در یک کورس رفت و برگشت میزان جابه‌جایی طولی دستگاه در مسیر حرکت چند متر است؟

(۱) $0,33$ (۲) $0,55$ (۳) $0,11$ (۴) $0,66$

۱۰۱- دبی مشخصه افشانک مخروطی در فشار 250 کیلوپاسکال $0,62$ لیتر در دقیقه است. اگر دبی مورد نیاز برای هر افشانک $1,24$ لیتر در دقیقه باشد، سمپاش را روی چند کیلوپاسکال باید تنظیم نمود؟

(۱) 250 (۲) 500 (۳) 750 (۴) 1000

۱۰۲- رابطه سرعت نوسان کاه‌پران، (سرعت دورانی محور خارج از مرکز) و سرعت خطی محصول بر روی کاه‌پران چگونه است؟

(۱) مستقیم و درجه دو

(۲) معکوس و درجه دو

(۳) مستقیم و خطی

(۴) معکوس و خطی

۱۰۳- اگر در یک کاه‌پران، سرعت متوسط حرکت محصول بر روی کاه‌پران $0,5$ متر بر ثانیه و نرخ حجمی محصول ورودی $5/4$ مترمکعب در دقیقه و عرض کاه‌پران $0,6$ متر باشد، ارتفاع متوسط محصول روی کاه‌پران چند سانتی‌متر است؟

(۱) 30 (۲) 35 (۳) 40 (۴) 45

۱۰۴- با کمباین برداشت سیب‌زمینی، کدام دیگر را هم می‌توان برداشت کرد؟

(۱) شلغم و کاهو

(۲) هویج و پیاز

(۳) تربچه و کرفس

(۴) بادام زمینی و کلم

۱۰۵- از غوزه‌چین‌ها برای برداشت پنبه در یک عبور می‌توان استفاده نمود. معمولاً در مناطقی که بونه‌ها هستند از این ماشین استفاده می‌شود.

(۱) کلیه غوزه‌ها - کوتاه

(۲) غوزه‌های باز - کوتاه

(۳) کلیه غوزه‌ها - بلند

(۴) غوزه‌های باز - بلند

مکانیک سیالات و ترمودینامیک:

۱۰۶- میدان جریان سیالی به صورت زیر است. با فرض اینکه سیال نیوتنی باشد، تنش برشی (τ_{xy}) ، چقدر است؟

$$u = xy, \quad v = x^2 + y^2$$

(۱) μx (۲) $3\mu x$ (۳) $3\mu y$ (۴) $\mu(x + 2y)$

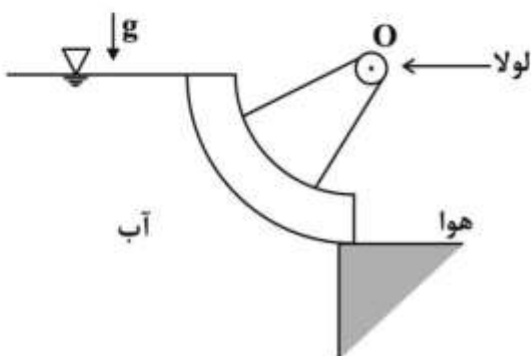
۱۰۷- برای اندازه‌گیری سرعت یک نقطه از جریان، کدام وسیله مورد استفاده قرار می‌گیرد؟

- (۱) ونتوری متر (۲) لوله بوردن (۳) لوله پیتوت (۴) اریفیس متر

۱۰۸- اگر افت فشار در جریان داخل لوله‌ای به قطر ۲ سانتی‌متر برابر با ۰٫۲ پاسکال در هر متر باشد، تنش برشی روی دیواره چند پاسکال است؟

- (۱) ۰٫۰۰۱
(۲) ۰٫۰۰۲
(۳) ۰٫۰۰۴
(۴) ۰٫۰۱

۱۰۹- یک دریچه ربع استوانه‌ای، در نقطه O لولا شده و آب را در سمت چپ خود نگه می‌دارد. اگر از وزن دریچه صرف‌نظر شود، گشتاور لازم در محل لولا برای حفظ دریچه و غلبه بر گشتاور نیروهای وارد شده از آب چقدر است؟ (پهنای دریچه W و شعاع آن R است.)



$$(1) \frac{\rho g R^2 W}{2}$$

$$(2) \frac{\rho g R W}{3}$$

$$(3) \frac{2 \rho g R^2 W}{3}$$

(۴) صفر

۱۱۰- در یک جریان دو بعدی تراکم‌پذیر، مؤلفه‌های بردار سرعت به صورت $u = 3x^2 - 3y^2$ و $v = -6xy$ هستند. تابع جریان برای این میدان سرعت کدام است؟

$$(1) 3x^2y - y^3 + c$$

$$(2) -3x^2y - y^3 + c$$

$$(3) 3x^2y + y^3 + c$$

$$(4) -3x^2y + y^3 + c$$

۱۱۱- یک کره توخالی به شعاع R و ضخامت t در ظرف آبی به‌طور کاملاً غوطه‌ور قرار دارد. اگر گرانش ویژه ماده پوسته کره A باشد، مقدار t به R چقدر است؟

$$(1) \left(\frac{A}{8}\right)^{\frac{1}{3}}$$

$$(2) 1 - \left(\frac{A}{8}\right)^{\frac{1}{3}}$$

$$(3) 1 - \left(\frac{A}{8}\right)^{\frac{1}{3}}$$

$$(4) 1 + \left(\frac{A}{8}\right)^{\frac{1}{3}}$$

۱۱۲- یک جسم شناور داخل آب از حالت سکون رها می‌شود. شتاب جسم در لحظه شروع حرکت کدام است؟
(گرانش ویژه جسم ۲ و شتاب ثقل g است.)

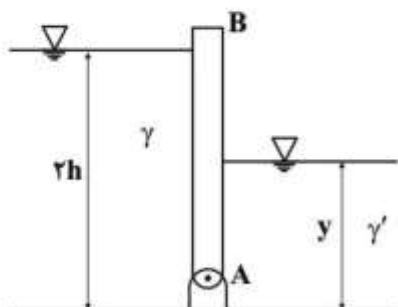
(۱) $3g$

(۲) $2g$

(۳) g

(۴) $0.5g$

۱۱۳- برای اینکه دریچه AB به صورت قائم بایستد، نسبت y به h کدام است؟ ($r' = 8\gamma$)



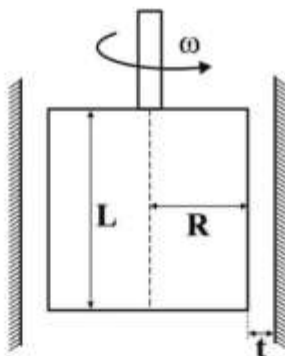
(۱) $\frac{1}{8}$

(۲) $\frac{1}{4}$

(۳) $\frac{1}{2}$

(۴) 1

۱۱۴- با توجه به شکل، اگر شعاع استوانه دو برابر شود، مقدار گشتاور لازم برای چرخاندن استوانه چند برابر می‌شود؟
(ضخامت لایه روغن و سرعت چرخشی ثابت فرض می‌شود.)



t ضخامت لایه روغن

(۱) $\frac{1}{8}$

(۲) $\frac{1}{2}$

(۳) 2

(۴) 8

۱۱۵- توزیع سرعت U یک مایع لزج با گرانشی دینامیکی $1 \frac{Ns}{m^2}$ بر روی یک سطح صلب توسط رابطه

$$U = y(1-y)$$

داده شده است. تنش برشی در فاصله $0.3m$ از سطح، چند پاسکال است؟

(y فاصله از سطح صلب است.)

(۱) 0.21

(۲) 0.40

(۳) 0.50

(۴) 0.60

۱۱۶- مکعبی به ضلع ۱ متر از مایعی با چگالی ویژه ۰/۹ پر شده است و با شتاب $2 \frac{m}{s^2}$ به سمت پایین حرکت می‌کند.

برآیند نیروی حاصل از فشار مایع که بر دیواره‌های جانبی وارد می‌شود، چند نیوتن است؟

$$\left(\rho = 1000 \frac{kg}{m^3} \text{ و } g = 10 \frac{m}{s^2} \right)$$

(۱) ۲۷۰۰

(۲) ۵۴۰۰

(۳) ۸۱۰۰

(۴) ۱۰۸۰۰

۱۱۷- واگن حامل مایعی به وزن مخصوص γ از روی سطح شیب‌داری که با افق زاویه θ می‌سازد، بالا می‌رود. اگر توزیع فشار یکنواخت بر کف واگن موردنظر باشد، کدام مورد درست است؟

(۱) باید سرعت کامیون ثابت باشد.

(۲) رسیدن به چنین حالتی غیر ممکن است.

(۳) باید حرکت کامیون تند شونده با شتاب ثابت باشد.

(۴) باید حرکت کامیون کند شونده با شتاب ثابت باشد.

۱۱۸- در یک یخچال که با چرخه کارنو کار می‌کند، دمای چشمه سرد $-23^\circ C$ و دمای چشمه گرم $27^\circ C$ است. چند ژول کار باید انجام شود تا $15000 J$ انرژی از چشمه سرد گرفته شود؟

(۱) ۲۰۰

(۲) ۲۵۰

(۳) ۳۰۰

(۴) ۳۵۰

۱۱۹- بخار آب در فشار $0.5 MPa$ و دمای $350^\circ C$ را به دمای $450^\circ C$ می‌رسانیم. فرایند فشار ثابت بوده و

$$C_p = 2 \frac{kJ}{kgK} \text{ است. مقدار انتقال حرارت چند کیلوژول به کیلوگرم است؟}$$

(۱) ۵۰

(۲) ۱۰۰

(۳) ۲۰۰

(۴) ۴۰۰

۱۲۰- اگر هوا وارد یک بالن کروی شود و فشار داخل بالن متناسب با شعاع آن باشد، رابطه کار انجام شده کدام است؟

$$W = \frac{3(P_2 V_2 - P_1 V_1)}{4} \quad (1)$$

$$W = \frac{3(P_2 V_2 - P_1 V_1)}{2} \quad (2)$$

$$W = 3(P_2 V_2 - P_1 V_1) \quad (3)$$

$$W = P_2 V_2 - P_1 V_1 \quad (4)$$

۱۲۱- در یک موتور بنزینی دمای متوسط در مرحله احتراق 1527°C و دمای آب رادیاتور 17°C است. بیشینه راندمان موتور چقدر است؟

$$\frac{1}{4} \quad (1)$$

$$\frac{1}{2} \quad (2)$$

$$\frac{2}{3} \quad (3)$$

$$\frac{5}{6} \quad (4)$$

۱۲۲- یک سیستم سیلندر و پیستون حاوی 20g بخار آب اشباع با آنتالپی $2000 \frac{\text{kJ}}{\text{kg}}$ و فشار ثابت است. المان درون مخزن به برق متصل شده و جریانی معادل 0.2A به مدت 5min از یک منبع 100V از آن عبور می‌کند. اگر اتلاف حرارت برابر با 3kJ باشد، آنتالپی نهایی بخار چند کیلوژول بر کیلوگرم است؟

$$1800 \quad (1)$$

$$1850 \quad (2)$$

$$2150 \quad (3)$$

$$2200 \quad (4)$$

۱۲۳- هوا با سرعت $200 \frac{\text{m}}{\text{s}}$ و آنتالپی $200 \frac{\text{kJ}}{\text{kg}}$ وارد شیبوره یک موتور جت می‌شود. با فرض ناچیز بودن انرژی جنبشی خروجی و انتقال حرارت، آنتالپی هوا در خروجی چند کیلوژول بر کیلوگرم است؟

$$180 \quad (1)$$

$$200 \quad (2)$$

$$220 \quad (3)$$

$$400 \quad (4)$$

۱۲۴- در دمای بحرانی و فشارهای بیش از فشار بحرانی یک ماده خالص، کدام مورد نادرست است؟

(۱) فقط یک فاز وجود دارد.

(۲) نقطه تغییر فاز مشخصی وجود ندارد.

(۳) حجم مخصوص ماده نسبت به حالت بحرانی تغییر می‌کند.

(۴) حجم مخصوص ماده نسبت به حالت بحرانی ثابت می‌ماند.

۱۲۵- مخزنی حاوی سیالی است که با یک موتور پرده‌دار همزده می‌شود. کار انجام شده به وسیله موتور 4000kJ و گرمای خارج شده از مخزن 1000kJ است. تغییرات انرژی داخلی چند کیلوژول است؟

$$2000 \quad (1)$$

$$3000 \quad (2)$$

$$4000 \quad (3)$$

$$5000 \quad (4)$$

۱۲۶- موتور تراکتوری دارای قدرت 300 kW و بازده گرمایی 30% است. ارزش حرارتی سوخت مصرفی $\frac{\text{kJ}}{\text{kg}}$ 50000

است. آهنگ انرژی دفع شده بر حسب کیلووات و آهنگ مصرف سوخت بر حسب کیلوگرم بر ثانیه، به ترتیب از راست به چپ چقدر هستند؟

(۱) $700 - 0.2$

(۲) $1000 - 0.2$

(۳) $700 - 0.4$

(۴) $1000 - 0.4$

۱۲۷- کدام رابطه، نشان‌دهنده کار مرزی یک گاز ایده‌آل در فرایند تک‌دما است؟

(۱) $P_1 V_1 \ln \frac{V_1}{V_2}$

(۲) $P_2 V_2 \ln \frac{V_1}{V_2}$

(۳) $P_2 V_2 \ln \frac{V_2}{V_1}$

(۴) $P_2 V_2 \ln(V_1 V_2)$

۱۲۸- گاز فلوئور در فرایند پلی‌تروپیک $pV^2 = C$ از حالت اولیه 160 kPa ، دمای 360 K و حجم 0.4 m^3 تا حالت

نهایی 40 kPa منبسط می‌شود. کار خروجی از سیستم چند کیلوژول است؟

(۱) ۱۶

(۲) ۳۲

(۳) ۴۸

(۴) ۶۴

۱۲۹- کدام مورد به ترتیب بیانگر فرایندهای سیکل کارنو است؟

(۱) انبساط تک دما، انبساط آدیباتیک، تراکم تک دما، تراکم آدیباتیک

(۲) انبساط تک دما، تراکم تک دما، انبساط آدیباتیک، تراکم آدیباتیک

(۳) تراکم تک دما، تراکم آدیباتیک، انبساط آدیباتیک، انبساط تک دما

(۴) انبساط تک دما، انبساط آدیباتیک، تراکم آدیباتیک، تراکم تک دما

۱۳۰- در یک فرایند دو مرحله‌ای، حجم در فشار ثابت 300 kPa از 0.5 m^3 به 1 m^3 می‌رسد. سپس درحالی‌که فشار

به صورت خطی 600 kPa تغییر می‌کند، حجم نیز به 4 m^3 می‌رسد. کار انجام شده در این فرایند چند کیلوژول است؟

(۱) ۱۵۰۰

(۲) ۱۳۵۰

(۳) ۱۲۰۰

(۴) ۱۵۰

ابزار اندازه‌گیری:

۱۳۱- با کدام حسگر دبی می‌توان میزان سیال عبوری از داخل لوله (مدار بسته) را اندازه‌گیری کرد؟

- (۱) پیزومتر
(۲) سیم داغ
(۳) فیلم داغ
(۴) داپلر لیزری

۱۳۲- کدام حسگر برای اندازه‌گیری سریع دمای محیط مناسب است؟

- (۱) پیرومتر
(۲) ترموکوپل
(۳) ترمیستور
(۴) LM-35

۱۳۳- در شرایط مقیاس کل 200 mV ، دقت یک ثابت 1% است. خطای احتمالی دستگاه ثابت اگر در شرایط $\frac{1}{4}$ مقیاس کل استفاده شود، چند درصد است؟

- (۱) $\frac{1}{2}$
(۲) ۱
(۳) $1/33$
(۴) ۲

۱۳۴- تعداد دندان‌های یک چرخ‌دنده روی محوری که حداکثر دور آن 2500 rpm می‌باشد و یک حسگر بارگیر مغناطیسی با فرکانس 5000 Hz روی محور نصب شده است، چقدر است؟

- (۱) ۲
(۲) ۳۰
(۳) ۶۰
(۴) ۱۲۰

۱۳۵- کدام ثابت برای تهیه نقشه فشردگی خاک در عمق‌های مختلف مناسب است؟

- (۱) دیتالاتر
(۲) اسیلوسکوپ
(۳) X-Y رکوردر
(۴) X-t رکوردر

۱۳۶- یک کرنش‌سنج (SG) با طول سیم به مقاومت $50\ \Omega$ به یک بازوی پل‌وتستون وصل شده است. اگر مقاومت هر یک از بازوها و کرنش‌سنج $350\ \Omega$ اهم باشد و در شرایط معمول ضریب حساسیت کرنش‌سنج $S_g = 2$ باشد، ضریب حساسیت پل با اضافه شدن سیم چند درصد تغییر می‌کند؟

- (۱) $12/5$
(۲) $7/5$
(۳) ۵
(۴) ۲

۱۳۷- از کدام شتاب‌سنج برای اندازه‌گیری شتاب خیلی بالا (شوک)، بهتر است استفاده شود؟

- (۱) کرنش‌سنج
(۲) پیزوالکتریک
(۳) پتانسیومتر مقاومتی
(۴) مبدل با القای متغیر

۱۳۸- در استفاده از حسگرهای فراصوت در اندازه‌گیری ارتفاع مواد در سیلوها از کدام ویژگی استفاده می‌شود؟

(۱) رطوبت مواد (۲) عمق نفوذ امواج

(۳) خاصیت دی‌الکتریک مواد (۴) زمان رفت و برگشت امواج

۱۳۹- کدام مورد، شاخص اندازه‌گیری میزان رسیدگی میوه‌ها در دستگاه رفاکتومتر است؟

(۱) رنگ میوه (۲) میزان قند میوه

(۳) نرمی بافت میوه (۴) سختی پوست خارجی میوه

۱۴۰- مشکل اصلی در اندازه‌گیری جابه‌جایی با مبدل خازن متغیر، کدام مورد است؟

(۱) دقت کم (۲) وضوح کم (۳) عمر مفید کم (۴) امپدانس بالا

۱۴۱- پیرومتر نوری برای کدام مورد اندازه‌گیری استفاده می‌شود؟

(۱) دمای بالا (۲) دمای پایین (۳) شدت نور بالا (۴) شدت نور پایین

۱۴۲- کدام مورد، بهره توان در یک تقویت‌کننده است؟

(۱) بهره جریان \times بهره ولتاژ (۲) $\frac{\text{بهره جریان}}{\text{بهره ولتاژ}}$

(۳) $\frac{\text{بهره ولتاژ}}{\text{بهره جریان}}$ (۴) $\frac{\text{توان خروجی}}{\text{توان ورودی}}$

۱۴۳- کدام مورد یک ابزار اندازه‌گیری با خروجی خنثی (null output) است؟

(۱) مانومتر جیوه‌ای (۲) فشارسنج بوردون

(۳) باسکول اندازه‌گیری وزن (۴) نورسنج (light meter) یک دوربین

۱۴۴- برای یک مبدل اندازه‌گیری فشار از نوع پل‌وتستون که یکی از کرنش‌سنج‌های آن بر روی یک دیافراگم نصب شده و فشار موردنظر به دیافراگم اعمال می‌شود، ولتاژ تغذیه توصیه شده ۱۲ ولت، محدوده فشار ۲۰۰ کیلوپاسکال و

خروجی پل $\frac{mV}{kPa}$ است. حساسیت مدار در این ولتاژ توصیه شده چقدر است؟

(۱) $\frac{1}{2} \frac{mV}{kPa}$

(۲) $12 \frac{mV}{kPa}$

(۳) $20 \frac{mV}{V}$

(۴) $240 \frac{mV}{V}$

۱۴۵- کدام مورد درست است؟

(۱) LVDT یک مبدل خود مولد (Self-generating) است.

(۲) مبدل پیزوالکتریک می‌تواند برای اندازه‌گیری‌های استاتیکی استفاده شود.

(۳) مبدل جریان‌یدی (Eddy current) دارای خروجی متناسب با سرعت است.

(۴) در یک پل‌وتستون اگر دو بازوی مجاور دارای کرنش‌های با ماهیت متفاوت باشند، خروجی پل افزایش می‌یابد.

۱۴۶- یک صافی (فیلتر) بالاگذر RC با ظرفیت خازنی ۱ میکروفاراد باید فرکانس‌های کمتر از $\frac{5}{\pi}$ هرتز را در سیگنال

موردنظر فیلتر کند. مقاومت مدار صافی چقدر است؟

(۱) 1000Ω

(۲) 100Ω

(۳) $100k\Omega$

(۴) $1000k\Omega$

۱۴۷- واسنجی (کالیبراسیون) ابزارهای اندازه‌گیری، کدام نوع از خطاها را از بین می‌برد؟

(۱) انسانی (۲) تصادفی (۳) ناخالص (۴) تجمعی (سیستماتیک)

۱۴۸- خطای ایجاد شده در اثر خود عملیات اندازه‌گیری بر سامانه فیزیکی مورد آزمون چه نام دارد؟

(۱) ابزاری (۲) بارگذاری (۳) انسانی (۴) ناخالص

۱۴۹- نسبت تغییر خروجی به تغییر ورودی در یک ابزار اندازه‌گیری چه نام دارد؟

(۱) آستانه (۲) راندمان

(۳) حساسیت استاتیکی (۴) قدرت تشخیص

۱۵۰- کدام ثبات برای اندازه‌گیری فرکانس بیش از $300kHz$ مناسب است؟

(۱) دیتالاگر (۲) رسیلوگراف (۳) اسیلوسکوپ (۴) X-Y رکورد

۱۵۱- خروجی کدام حسگر دما خطی است؟

(۱) ترموکوپل (۲) ترمیستور

(۳) LM-35 (۴) RTD (کاوشر مقاومتی - حرارتی)

۱۵۲- کدام حسگر، انرژی تابشی را به انرژی الکتریکی تبدیل می‌کند؟

(۱) فتورسانا (۲) فتودیود (۳) فتوولتایی (۴) فتوگسیلنده

۱۵۳- کدام حسگر برای اندازه‌گیری دقیق و سریع سیال مناسب است؟

(۱) زانویی (۲) فیلم داغ (۳) شیپوره‌ای (۴) جابه‌جایی مثبت

۱۵۴- LVDTها به ترتیب از راست به چپ دارای چند هسته و سیم‌پیچ می‌باشند؟

(۱) ۴ - ۱ (۲) ۳ - ۲ (۳) ۳ - ۱ (۴) ۴ - ۲

۱۵۵- کدام حسگر برای شرایط اندازه‌گیری دبی سیال در کانال روباز براساس سرعت مناسب است؟

(۱) پیرومتر (۲) توربینی (۳) فیلم داغ (۴) جابه‌جایی مثبت

